



313 Service Saddles

Flexi-Coat® Epoxy, Ductile Iron Body, Double Bale

ANSI/NSF® 61 Listed



Smith-Blair® 313 Double Bale Service Saddles have the same important design features as the 311 Service Saddles.

The 313 is especially recommended where large taps are required and where greater than normal transverse loading on the service line is anticipated.

For unusually corrosive or aggressive environments, Smith-Blair 317, 325, 327, 357 or 397 Service Saddles should be used.

Material Specifications

BODIES: Ductile Iron ASTM-A536.

BALES: Carbon Steel ASTM-A108 (C1018) or HSLA (C111) electro-galvanized with di-chromate steel ASTM-B633.

NUTS: Cold formed semi-finished heavy hex steel A563 electro-galvanized with di-chromate seal ASTM-B633.

WASHERS: Carbon Steel ASTM-A108, electro-galvanized with a di-chromate seal ASTM-B633.

GASKET: Smith-Blair® Nitrile (Buna N) NSF 61® compounded to resist - oil, acids alkalis, most (aliphatic) hydrocarbon fluids, water and many chemicals.
(Contact Smith-Blair® engineers on applications involving chemicals).
Temperature -20°F to 180°F.

FINISH: Fusion bonded Flexi-Coat® Epoxy.

OPTIONAL: Stainless steel hardware available upon request.

*Large diameter saddles (15.98-25.80) with 3" & 4" NPT taps have bales made of ASTM-A285, studs ASTM-A325 with fusion bonded Flexi-Coat® Epoxy and nuts made of carbon steel ASTM-A536.

Material specifications subject to change.

3/4" and 1" NPT Taps

Standard			Catalog Number		Ctn. Qty	Metric		
Nom. Size Inches	O.D. Range Inches	Wt. Each Lbs.	3/4" NPT/20 mm	1" NPT/25 mm		Nom. Size mm	O.D. Range mm	Wt. Each kg.
1-1/4-1-1/2	1.61-1.92	3	313-00019206-000	313-00019208-000	6	32-40	41-48	1
2	2.35-2.56	3	313-00025606-000	313-00025608-000	6	50	60-65	1
2-1/4-2-1/2	2.44-2.91	3	313-00029106-000	313-00029108-000	6	57-65	62-73	2
3	2.97-3.54	4	313-00035406-000	313-00035408-000	6	80	76-89	2
3-4	3.74-4.13	6	313-00041306-000	313-00041308-000	6	80-100	95-105	3
4	4.40-4.50	6	313-00045006-000	313-00045008-000	6	100	112-114	3
4	4.40-4.80	6	313-00048006-000	313-00048008-000	6	100	112-122	3
4-5	4.74-5.63	6	313-00056306-000	313-00056308-000	6	100-125	121-143	3
6	5.94-6.70	6	313-00066306-000	313-00066308-000	4	150	151-170	3
6	5.94-6.90	6	313-00069006-000	313-00069008-000	4	150	151-175	3
6	6.84-7.60	7	313-00076006-000	313-00076008-000	4	150	174-193	3
6-8	7.69-8.72	8	313-00087206-000	313-00087208-000	4	150-200	195-221	4
6-8	7.69-9.05	8	313-00090506-000	313-00090508-000	4	150-200	195-230	4
8-10	8.54-10.10	8	313-00101006-000	313-00101008-000	4	200-250	217-256	4
10	10.75-11.10	10	313-00111006-000	313-00111008-000	4	250	273-282	4
10-12	10.64-12.12	10	313-00121206-000	313-00121208-000	4	250-300	271-307	4
12	12.75-13.20	14	313-00132006-000	313-00132008-000	4	300	324-335	7
12-14	12.62-14.32	15	313-00143206-000	313-00143208-000	4	300-350	321-363	7
12-14	14.73-15.65	18	313-00156506-000	313-00156508-000	1	300-350	375-397	8
14-16	15.95-17.25	19	313-00172506-000	313-00172508-000	1	350-400	406-438	9
16	17.25-17.80	19	313-00178006-000	313-00178008-000	1	410	438-452	9
16-18	17.40-18.88	19	313-00188806-000	313-00188808-000	1	400-450	442-479	9
18	19.38-19.68	20	313-00195006-000	313-00195008-000	1	450	492-499	9
20	21.55-21.65	20	313-00216006-000	313-00216008-000	1	500	547-550	9
24	25.75-25.85	20	313-00258006-000	313-00258008-000	1	600	654-657	9



BSP Thread Tap Codes

Size	Code Number	Example
1/2"	59	
3/4"	50	
1"	51	
1 1/4"	54	1-1/4" NPT 313-00025610-000
1 1/2"	52	1-1/4" BSP 313-00025654-000
2"	53	
2 1/2"	55	
3"	56	

313 Service Saddles, Ductile Iron, Double Bale
1-1/4", 1-1/2", 2" and 2-1/2" NPT Taps

Standard			Catalog Number				Ctn. Qty	Metric		
Nom. Size Inches	O.D. Range Inches	Wt. Each Lbs.	1-1/4" NPT/32 mm	1-1/2" NPT/40 mm	2" NPT/50 mm	2-1/2" NPT/65 mm		Nom. Size mm	O.D. Range mm	Wt. Each kg.
2	2.35-2.56	3	313-00025610-000	313-00025612-000	N/A	N/A	6	50	60-65	1
3	2.97-3.54	5	313-00035410-000	313-00035412-000	313-00035414-000	N/A	6	80	76-89	3
3-4	3.74-4.13	8	313-00041310-000	313-00041312-000	313-00041314-000	313-00041316-000	6	80-100	95-104	3
4	4.40-4.50	6	313-00045010-000	313-00045012-000	313-00045014-000	313-00045016-000	6	100	112-114	3
4	4.40-4.80	6	313-00048010-000	313-00048012-000	313-00048014-000	313-00048016-000	6	100	112-122	3
4-5	4.74-5.14	8	313-00051410-000	313-00051412-000	313-00051414-000	313-00051416-000	6	100-125	120-130	3
4-5	5.00-5.63	9	313-00056310-000	313-00056312-000	313-00056314-000	313-00056316-000	4	100-125	127-143	4
6	5.94-6.70	9	313-00066310-000	313-00066312-000	313-00066314-000	313-00066316-000	4	150	151-170	4
6	5.94-6.90	9	313-00069010-000	313-00069012-000	313-00069014-000	313-00069016-000	4	150	151-175	4
6	6.84-7.60	7	313-00076010-000	313-00076012-000	313-00076014-000	313-00076016-000	4	150	174-193	3
6-8	7.69-8.72	11	313-00087210-000	313-00087212-000	313-00087214-000	313-00087216-000	4	150-200	195-221	5
6-8	7.69-9.05	11	313-00090510-000	313-00090512-000	313-00090514-000	313-00090516-000	4	150-200	195-230	5
8-10	8.54-10.10	9	313-00101010-000	313-00101012-000	313-00101014-000	313-00101016-000	4	200-250	217-256	4
10	10.75-11.10	10	313-00111010-000	313-00111012-000	313-00111014-000	313-00111016-000	4	250	273-282	4
10-12	10.64-12.12	11	313-00121210-000	313-00121212-000	313-00121214-000	313-00121216-000	4	250-300	271-307	5
12	12.75-13.20	15	313-00132010-000	313-00132012-000	313-00132014-000	313-00132016-000	4	300	324-355	7
12-14	12.62-14.32	14	313-00143210-000	313-00143212-000	313-00143214-000	313-00143216-000	4	300-350	321-363	6
12-14	14.73-15.65	18	313-00156510-000	313-00156512-000	313-00156514-000	313-00156516-000	1	300-350	375-397	8
14-16	15.95-17.25	19	313-00172510-000	313-00172512-000	313-00172514-000	313-00172516-000	1	350-400	406-438	9
16	17.25-17.80	19	313-00178010-000	313-00178012-000	313-00178014-000	313-00178016-000	1	410	438-452	9
16-18	17.40-18.88	19	313-00188810-000	313-00188812-000	313-00188814-000	313-00188816-000	1	400-450	442-479	9
18	19.38-19.68	20	313-00195010-000	313-00195012-000	313-00195014-000	313-00195016-000	1	450	479-495	9
20	21.55-21.65	20	313-00216010-000	313-00216012-000	313-00216014-000	313-00216016-000	1	500	547-550	9
24	25.75-25.85	20	313-00258010-000	313-00258012-000	313-00258014-000	313-00258016-000	1	600	654-657	9

3" and 4" NPT Taps

Standard			Catalog Number		Ctn. Qty	Metric		
Nom. Size Inches	O.D. Range Inches	Wt. Each Lbs.	3" NPT/80 mm	4" NPT/100 mm		Nom. Size mm	O.D. Range mm	Wt. Each kg.
6	5.94-6.70	10	313-00066317-000	N/A	4	150	151-171	5
6	6.84-7.60	13	313-00076017-000	313-00076018-000	4	150	174-193	6
8-10	8.54-10.10	15	313-00101017-000	313-00101018-000	3	200-250	217-256	7
10	10.75-11.10	14	See 357's page 22	See 357's page 22	-	-	-	-
10-12	10.64-12.12	14	313-00121217-000	313-00121218-000	2	250-300	271-307	6
12	12.75-13.20	18	See 357's page 22	See 357's page 22	-	-	-	-
12-14	12.62-14.32	18	313-00143217-000	313-00143218-000	2	300-350	321-363	8
12-14	14.73-15.65	28	313-00156517-000	313-00156518-000	2	300-350	375-397	13
14-16	15.98-16.59	28	313-00165917-000	313-00165918-000	1	350-400	406-421	13
16	17.25-17.80	29	313-00178017-000	313-00178018-000	1	400	439-452	13
16-18	17.81-18.88	30	313-00188817-000	313-00188818-000	1	400-450	452-479	13
18	19.38-19.68	30	313-00195017-000	313-00195018-000	1	450	492-500	14

1/2" I.P. Taps can be accommodated by inserting a bushing in the 3/4" taps.



313 Service Saddles

Flexi-Coat® Epoxy, Ductile Iron Body, Double Bale

ANSI/NSF® 61 Listed



5/8", 3/4" and 1" CC Taps

Standard			Catalog Number			Ctn. Qty	Metric		
Nom. Sizes Inches	O.D. Range Inches	Wt. Each Lbs.	5/8" CC/16 mm	3/4" CC/20 mm	1" CC/25 mm		Nom. Size mm	O.D. Range mm	Wt. Each kg.
1-1/4-1-1/2	1.61-1.92	3	313-00019205-000	313-00019207-000	313-00019209-000	6	32-40	41-48	1
2	2.35-2.56	3	313-00025605-000	313-00025607-000	313-00025609-000	6	50	60-65	1
2-1/4-2-1/2	2.44-2.91	3	313-00029105-000	313-00029107-000	313-00029109-000	6	57-63	62-73	2
3	2.97-3.54	4	313-00035405-000	313-00035407-000	313-00035409-000	6	80	76-89	2
3-4	3.74-4.13	6	313-00041305-000	313-00041307-000	313-00041309-000	6	80-100	95-105	3
4	4.40-4.50	6	313-00045005-000	313-00045007-000	313-00045009-000	6	100	112-114	3
4	4.40-4.80	6	313-00048005-000	313-00048007-000	313-00048009-000	6	100	112-122	3
4-5	4.74-5.63	6	313-00056305-000	313-00056307-000	313-00056309-000	6	100-125	121-143	3
6	5.94-6.70	6	313-00066305-000	313-00066307-000	313-00066309-000	4	150	151-170	3
6	5.94-6.90	6	313-00069005-000	313-00069007-000	313-00069009-000	4	150	151-175	3
6	6.84-7.60	7	313-00076005-000	313-00076007-000	313-00076009-000	4	150	174-193	3
6-8	7.69-8.72	7	313-00087205-000	313-00087207-000	313-00087209-000	4	150-200	195-221	4
6-8	7.69-9.05	8	313-00090505-000	313-00090507-000	313-00090509-000	4	150-200	195-230	4
8-10	8.54-10.10	8	313-00101005-000	313-00101007-000	313-00101009-000	4	200-250	217-256	4
10	10.75-11.10	10	313-00111005-000	313-00111007-000	313-00111009-000	4	250	273-282	4
10-12	10.64-12.12	10	313-00121205-000	313-00121207-000	313-00121209-000	4	250-300	271-307	4
12	12.75-13.20	14	313-00132005-000	313-00132007-000	313-00132009-000	4	300	324-335	7
12-14	12.62-14.32	15	313-00143205-000	313-00143207-000	313-00143209-000	4	300-350	321-363	7
12-14	14.73-15.65	18	313-00156505-000	313-00156507-000	313-00156509-000	1	300-350	375-397	8
14-16	15.95-17.25	19	313-00172505-000	313-00172507-000	313-00172509-000	1	350-400	406-438	9
16	17.25-17.80	19	313-00178005-000	313-00178007-000	313-00178009-000	1	410	438-452	9
16-18	17.40-18.88	19	313-00188805-000	313-00188807-000	313-00188809-000	1	400-450	442-479	9
18	19.38-19.68	20	313-00195005-000	313-00195007-000	313-00195009-000	1	450	492-500	9
20	21.55-21.65	20	313-00216005-000	313-00216007-000	313-00216009-000	1	500	547-550	9
24	25.75-25.85	20	313-00258005-000	313-00258007-000	313-00258009-000	1	600	654-657	9

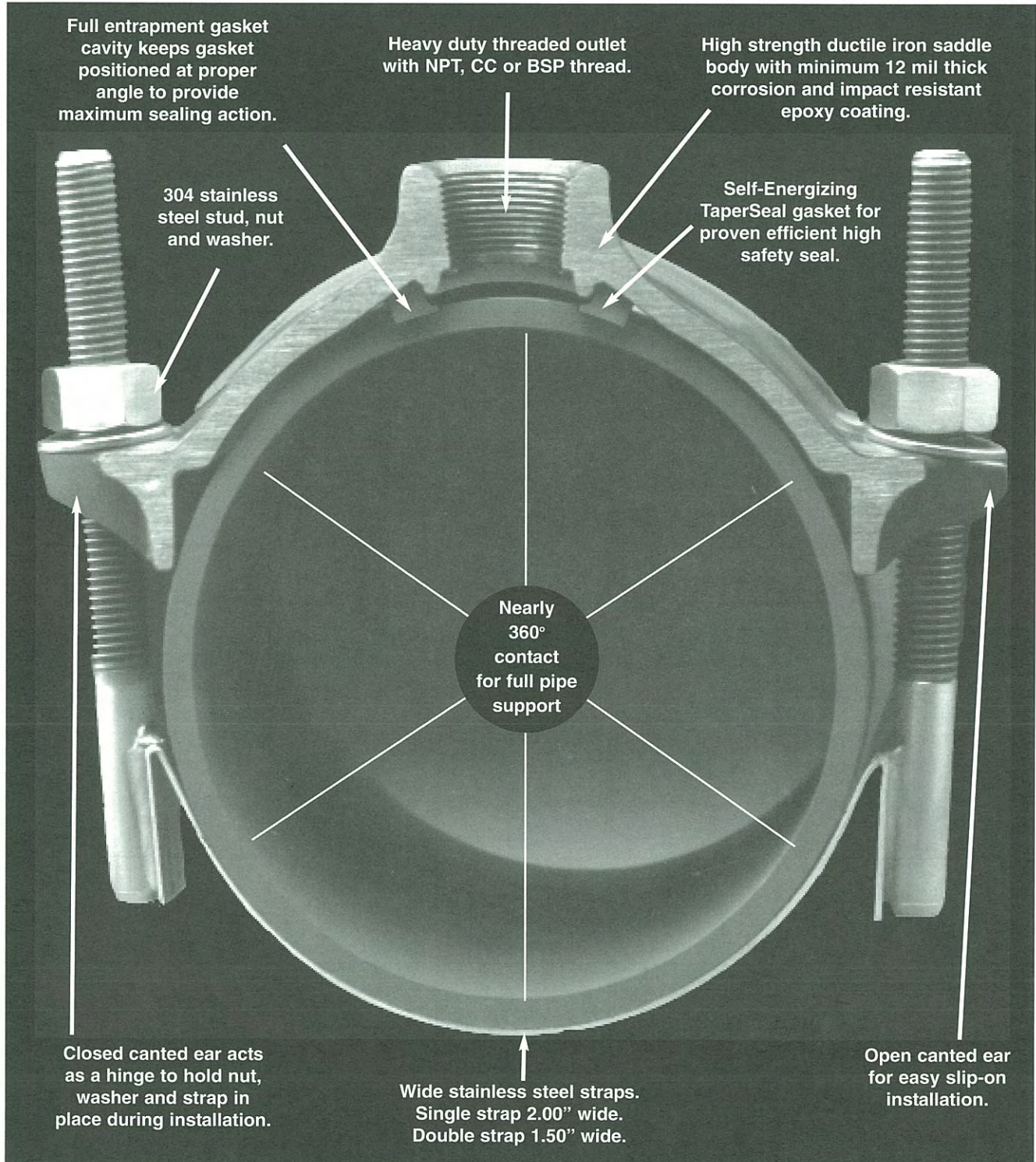
1-1/4", 1-1/2" and 2" CC Taps

Standard			Catalog Number			Ctn. Qty	Metric		
Nom. Sizes Inches	O.D. Range Inches	Wt. Each Lbs.	1-1/4" CC/32 mm	1-1/2" CC/40 mm	2" CC/50 mm		Nom. Size mm	O.D. Range mm	Wt. Each kg.
2	2.35-2.56	3	313-00025611-000	N/A	N/A	6	50	60-65	1
	2.97-3.54	5	313-00035411-000	313-00035413-000	N/A	6	80	76-89	2
3-4	3.74-4.13	8	313-00041311-000	313-00041313-000	313-00041315-000	6	80-100	95-104	3
4	4.40-4.50	6	313-00045011-000	313-00045013-000	313-00045015-000	6	100	112-114	3
4	4.40-4.80	6	313-00048011-000	313-00048013-000	313-00048015-000	6	100	112-122	3
4-5	4.74-5.14	8	313-00051411-000	313-00051413-000	313-00051415-000	6	100-125	120-130	3
4-5	5.00-5.63	9	313-00056311-000	313-00056313-000	313-00056315-000	4	100-125	127-143	4
6	5.94-6.70	9	313-00066311-000	313-00066313-000	313-00066315-000	4	150	151-170	4
6	5.94-6.90	9	313-00069011-000	313-00069013-000	313-00069015-000	4	150	151-175	4
6	6.84-7.60	7	313-00076011-000	313-00076013-000	313-00076015-000	4	150	174-193	3
6-8	7.69-8.72	11	313-00087211-000	313-00087213-000	313-00087215-000	4	150-200	195-221	5
6-8	7.69-9.05	11	313-00090511-000	313-00090513-000	313-00090515-000	4	150-200	195-230	5
8-10	8.54-10.10	9	313-00101011-000	313-00101013-000	313-00101015-000	4	200-250	217-256	4
10	10.75-11.10	10	313-00111011-000	313-00111013-000	313-00111015-000	4	250	273-282	5
10-12	10.64-12.12	11	313-00121211-000	313-00121213-000	313-00121215-000	4	250-300	271-307	5
12	12.75-13.20	14	313-00132011-000	313-00132013-000	313-00132015-000	4	300	324-335	6
12-14	12.62-14.32	14	313-00143211-000	313-00143213-000	313-00143215-000	4	300-350	321-363	6
12-14	14.73-15.65	18	313-00156511-000	313-00156513-000	313-00156515-000	1	300-350	375-397	8
14-16	15.95-17.25	19	313-00172511-000	313-00172513-000	313-00172515-000	1	350-400	406-438	9
16	17.25-17.80	19	313-00178011-000	313-00178013-000	313-00178015-000	1	410	438-452	9
16-18	17.40-18.88	19	313-00188811-000	313-00188813-000	313-00188815-000	1	400-450	442-479	9
18	19.38-19.68	20	313-00195011-000	313-00195013-000	313-00195015-000	1	450	492-500	9
20	21.55-21.65	20	313-00216011-000	313-00216013-000	313-00216015-000	1	500	547-550	9
24	25.75-25.85	20	313-00258011-000	313-00258013-000	313-00258015-000	1	600	654-657	9

315 & 317 TaperSeal™ Service Saddles

Ductile Iron Body with Stainless Steel Straps
ANSI/NSF® 61 Listed

It's not just another service saddle; It's a better one, with the perfect combination of corrosion protection and time-proven design features to provide years of dependable service.





315 Service Saddles

Flexi-Coat® Epoxy, Ductile Iron Body

Single Strap - Stainless Steel

ANSI/NSF® 61 Listed



BSP Thread Tap Codes

Size	Code Number	Example
1/2"	59	3/4" NPT 315-00013906-000 3/4" BSP 315-00013950-000
3/4"	50	
1"	51	
1 1/4"	54	
1 1/2"	52	
2"	53	
2 1/2"	55	
3"	56	

3/4" and 1" NPT Taps

Standard			Catalog Number			Ctn. Qty	Metric		
Nom. Sizes Inches	O.D. Range Inches	Wt. Each Lbs.	3/4" NPT/20 mm	1" NPT/25 mm	Nom. Size mm		O.D. Range mm	Wt. Each kg.	
1	1.31-1.39	1	315-00013906-000	N/A	25-32	33-35	1		
1-1/4-1-1/2	1.61-1.92	1	315-00019206-000	315-00019208-000	40	41-48	1		
2	2.13	2	315-00021306-000	315-00021308-000	50	54	1		
2	2.38	2	315-00023806-000	315-00023808-000	50	60	1		
2	2.35-2.56	2	315-00025606-000	315-00025608-000	50	60-65	1		
2-1/4-2-1/2	2.44-2.91	2	315-00029106-000	315-00029108-000	57-65	62-73	1		
3	2.97-3.54	2	315-00035406-000	315-00035408-000	80	76-89	1		
4	4.40-4.50	3	315-00045006-000	315-00045008-000	100	112-114	1		
4	4.40-4.80	4	315-00048006-000	315-00048008-000	100	112-122	2		
4-5	4.74-5.63	3	315-00056306-000	315-00056308-000	100-125	121-143	2		
*5-6	5.94-6.70	4	315-00066306-000	315-00066308-000	125-150	151-170	2		
5-6	5.94-6.90	4	315-00069006-000	315-00069008-000	125-150	151-175	2		
6	6.84-7.60	5	315-00076006-000	315-00076008-000	150	174-193	2		
6-8	7.66-8.08	5	315-00080806-000	315-00080808-000	150-200	195-205	2		
6-8	7.69-8.72	5	315-00087206-000	315-00087208-000	150-200	195-221	2		
*6-8	7.69-9.05	5	315-00090506-000	315-00090508-000	150-200	195-230	2		
8-10	8.54-10.10	5	315-00101006-000	315-00101008-000	200-250	217-256	2		
10-12	10.64-12.12	5	315-00121206-000	315-00121208-000	250-300	271-307	3		
12	12.75-13.20	5	315-00132006-000	315-00132008-000	300	324-335	3		
12-14	12.62-14.32	5	315-00143206-000	315-00143208-000	300-350	321-363	3		

1-1/4", 1-1/2" and 2" NPT Taps

Standard			Catalog Number			Ctn. Qty	Metric		
Nom. Sizes Inches	O.D. Range Inches	Wt. Each Lbs.	1-1/4" NPT/32 mm	1-1/2" NPT/40 mm	2" NPT/50 mm		Nom. Size mm	O.D. Range mm	Wt. Each kg.
2	2.35-2.56	2	315-00025610-000	315-00025612-000	N/A	50	60-65	1	
2-1/4-2-1/2	2.44-2.91	3	315-00029110-000	315-00029112-000	N/A	57-65	62-73	1	
3	2.97-3.54	3	315-00035410-000	315-00035412-000	N/A	80	76-89	1	
4	4.40-4.50	4	315-00045010-000	315-00045012-000	315-00045014-000	100	112-114	2	
4	4.40-4.80	4	315-00048010-000	315-00048012-000	315-00048014-000	100	112-122	2	
4-5	4.74-5.63	5	315-00056310-000	315-00056312-000	315-00056314-000	100-125	121-143	2	
*5-6	5.94-6.70	3	315-00066310-000	315-00066312-000	315-00066314-000	125-150	151-170	2	
5-6	5.94-6.90	3	315-00069010-000	315-00069012-000	315-00069014-000	125-150	151-175	2	
6	6.84-7.60	6	315-00076010-000	315-00076012-000	315-00076014-000	150	174-193	3	
6-8	7.66-8.08	6	315-00080810-000	315-00080812-000	315-00080814-000	150-200	195-205	3	
6-8	7.69-8.72	6	315-00087210-000	315-00087212-000	315-00087214-000	150-200	195-221	3	
*6-8	7.69-9.05	6	315-00090510-000	315-00090512-000	315-00090514-000	150-200	195-230	3	
8-10	8.54-10.10	6	315-00101010-000	315-00101012-000	315-00101014-000	200-250	217-256	3	
10-12	10.64-12.12	6	315-00121210-000	315-00121212-000	315-00121214-000	250-300	271-307	3	
12	12.75-13.20	6	315-00132010-000	315-00132012-000	315-00132014-000	300	324-335	3	
12-14	12.62-14.32	7	315-00143210-000	315-00143212-000	315-00143214-000	300-350	321-363	3	

*Sized for use on C900 PVC pipe.

When properly sized from the factory, this product meets the requirements listed in the Uni-Bell PVC Pipe Association's "Handbook of PVC Pipe" and in the AWWA's "Manual M23: PVC Pipe Design and Installation."



317 Service Saddles
Flexi-Coat® Epoxy, Ductile Iron Body
Double Strap - Stainless Steel
ANSI/NSF® 61 Listed



5/8", 3/4" and 1" CC Taps

Standard			Catalog Number			Ctn. Qty	Metric		
Nom. Sizes Inches	O.D. Range Inches	Wt. Each Lbs.	5/8" CC/16 mm	3/4" CC/20 mm	1" CC/25 mm		Nom. Size mm	O.D. Range mm	Wt. Each kg.
1-1/4-1-1/2	1.61-1.92	3	317-00019205-000	317-00019207-000	317-00019209-000	6	32-40	41-48	1
2	2.35-2.56	3	317-00025605-000	317-00025607-000	317-00025609-000	6	50	60-65	1
2-1/4-2-1/2	2.44-2.91	3	317-00029105-000	317-00029107-000	317-00029109-000	6	57-65	62-73	2
3	2.97-3.54	4	317-00035405-000	317-00035407-000	317-00035409-000	6	80	76-89	2
3-4	3.74-4.13	6	317-00041305-000	317-00041307-000	317-00041309-000	6	80-100	95-105	3
*4	4.40-4.50	6	317-00045005-000	317-00045007-000	317-00045009-000	6	100	112-114	3
*4	4.40-4.80	6	317-00048005-000	317-00048007-000	317-00048009-000	6	100	112-122	3
4-5	4.74-5.14	6	317-00051405-000	317-00051407-000	317-00051409-000	6	100-125	120-130	3
4-5	4.74-5.63	6	317-00056305-000	317-00056307-000	317-00056309-000	6	100-125	121-143	3
*6	5.94-6.70	6	317-00066305-000	317-00066307-000	317-00066309-000	4	150	151-170	3
*6	5.94-6.90	6	317-00069005-000	317-00069007-000	317-00069009-000	4	150	151-175	3
6	6.84-7.60	7	317-00076005-000	317-00076007-000	317-00076009-000	4	150	174-193	3
6-8	7.69-8.72	8	317-00087205-000	317-00087207-000	317-00087209-000	4	150-200	195-221	4
*6-8	7.69-9.05	8	317-00090505-000	317-00090507-000	317-00090509-000	4	150-200	195-230	4
8-10	8.54-10.10	8	317-00101005-000	317-00101007-000	317-00101009-000	4	200-250	217-256	4
*10	10.75-11.10	9	317-00111005-000	317-00111007-000	317-00111009-000	4	250	273-282	4
*10-12	10.64-12.12	10	317-00121205-000	317-00121207-000	317-00121209-000	4	250-300	271-307	4
*12	12.75-13.20	10	317-00132005-000	317-00132007-000	317-00132009-000	4	300	324-335	7
12-14	12.62-14.32	15	317-00143205-000	317-00143207-000	317-00143209-000	4	300-350	321-363	7
12-14	14.73-15.65	18	317-00156505-000	317-00156507-000	317-00156509-000	1	300-350	375-397	8
14-16	15.95-17.25	19	317-00172505-000	317-00172507-000	317-00172509-000	1	350-400	406-438	9
16	17.25-17.80	19	317-00178005-000	317-00178007-000	317-00178009-000	1	410	438-452	9
16-18	17.40-18.88	19	317-00188805-000	317-00188807-000	317-00188809-000	1	400-450	442-479	9
*18	19.38-19.68	19	317-00195005-000	317-00195007-000	317-00195009-000	1	450	492-500	9
*20	21.55-21.65	19	317-00216005-000	317-00216007-000	317-00216009-000	1	500	547-550	9
24	25.75-25.85	30	317-00258005-000	317-00258007-000	317-00258009-000	1	600	654-657	9

1-1/4", 1-1/2" and 2" CC Taps

Standard			Catalog Number			Ctn. Qty	Metric		
Nom. Sizes Inches	O.D. Range Inches	Wt. Each Lbs.	1-1/4" CC/32 mm	1-1/2" CC/40 mm	2" CC/50 mm		Nom. Size mm	O.D. Range mm	Wt. Each kg.
2	2.35-2.56	3	317-00025611-000	N/A	N/A	6	50	60-65	1
3	2.97-3.54	5	317-00035411-000	317-00035413-000	N/A	6	80	76-89	2
3-4	3.74-4.13	8	317-00041311-000	317-00041313-000	317-00041315-000	6	80-100	95-105	3
*4	4.40-4.50	9	317-00045011-000	317-00045013-000	317-00045015-000	6	100	112-114	3
*4	4.40-4.80	9	317-00048011-000	317-00048013-000	317-00048015-000	6	100	112-122	3
4-5	5.00-5.63	9	317-00056311-000	317-00056313-000	317-00056315-000	6	100-125	121-143	4
*6	5.94-6.70	9	317-00066311-000	317-00066313-000	317-00066315-000	4	150	151-170	4
*6	5.94-6.90	9	317-00069011-000	317-00069013-000	317-00069015-000	4	150	151-175	4
6	6.84-7.60	8	317-00076011-000	317-00076013-000	317-00076015-000	4	150	174-193	4
6-8	7.69-8.72	11	317-00087211-000	317-00087213-000	317-00087215-000	4	150-200	195-221	5
*6-8	7.64-9.05	11	317-00090511-000	317-00090513-000	317-00090515-000	4	150-200	195-230	5
8-10	8.54-10.10	9	317-00101011-000	317-00101013-000	317-00101015-000	4	200-250	217-256	4
*10	10.75-11.10	11	317-00111011-000	317-00111013-000	317-00111015-000	4	250	273-282	4
10-12	10.64-12.12	11	317-00121211-000	317-00121213-000	317-00121215-000	4	250-300	271-307	5
*12	12.75-13.20	14	317-00132011-000	317-00132013-000	317-00132015-000	4	300	324-335	6
12-14	12.62-14.32	14	317-00143211-000	317-00143213-000	317-00143215-000	4	300-350	321-363	6
12-14	14.73-15.65	18	317-00156511-000	317-00156513-000	317-00156515-000	1	300-350	375-397	8
14-16	15.95-17.25	19	317-00172511-000	317-00172513-000	317-00172515-000	1	350-400	406-438	9
16	17.25-17.80	19	317-00178011-000	317-00178013-000	317-00178015-000	1	410	438-452	9
16-18	17.40-18.88	19	317-00188811-000	317-00188813-000	317-00188815-000	1	400-450	442-479	9
*18	19.38-19.68	19	317-00195011-000	317-00195013-000	317-00195015-000	1	450	492-500	9
*20	21.55-21.65	19	317-00216011-000	317-00216013-000	317-00216015-000	1	500	547-500	9
24	25.75-25.85	30	317-00258011-000	317-00258013-000	317-00258015-000	1	600	654-657	9

*Sized for Use on C900 PVC pipe.



317 Service Saddles

Flexi-Coat® Epoxy, Ductile Iron Body

Double Strap - Stainless Steel

ANSI/NSF® 61 Listed



3/4" and 1" NPT Taps

Standard			Catalog Number				Ctn. Qty	Metric		
Nom. Sizes Inches	O.D. Range Inches	Wt. Each Lbs.	3/4" NPT/20 mm		1" NPT/25 mm	Nom. Size mm		O.D. Range mm	Wt. Each kg.	
1-1/4-1-1/2	1.61-1.92	3	317-00019206-000		317-00019208-000	6	32-40	41-48	1	
2	2.35-2.56	3	317-00025606-000		317-00025608-000	6	50	60-65	1	
2-1/4-2-1/2	2.44-2.91	3	317-00029106-000		317-00029108-000	6	57-65	62-73	2	
3	2.97-3.54	4	317-00035406-000		317-00035408-000	6	80	76-89	2	
3-4	3.74-4.13	6	317-00041306-000		317-00041308-000	6	80-100	95-105	3	
*4	4.40-4.50	6	317-00045006-000		317-00045008-000	6	100	112-114	3	
*4	4.40-4.80	6	317-00048006-000		317-00048008-000	6	100	112-122	3	
4-5	4.74-5.63	6	317-00056306-000		317-00056308-000	6	100-125	121-143	3	
*6	5.94-6.70	6	317-00066306-000		317-00066308-000	6	150	151-170	3	
*6	5.94-6.90	6	317-00069006-000		317-00069008-000	4	150	151-175	3	
6	6.84-7.60	7	317-00076006-000		317-00076008-000	4	150	174-193	3	
6-8	7.69-8.72	8	317-00087206-000		317-00087208-000	4	150-200	195-221	4	
*6-8	7.69-9.05	8	317-00090506-000		317-00090508-000	4	150-200	195-230	4	
8-10	8.54-10.10	8	317-00101006-000		317-00101008-000	4	200-250	217-256	4	
*10	10.75-11.10	9	317-00111006-000		317-00111008-000	4	250	273-282	4	
10-12	10.64-12.12	10	317-00121206-000		317-00121208-000	4	250-300	271-307	4	
*12	12.75-13.20	9	317-00132006-000		317-00132008-000	4	300	324-335	6	
12-14	12.62-14.32	15	317-00143206-000		317-00143208-000	4	300-350	321-363	7	
12-14	14.73-15.65	18	317-00156506-000		317-00156508-000	1	300-350	375-397	8	
14-16	15.95-17.25	19	317-00172506-000		317-00172508-000	1	350-400	406-438	9	
16	17.25-17.80	19	317-00178006-000		317-00178008-000	1	410	438-452	9	
16-18	17.40-18.88	19	317-00188806-000		317-00188808-000	1	400-450	442-479	9	
*18	19.38-19.68	19	317-00195006-000		317-00195008-000	1	450	492-500	9	
*20	21.55-21.65	19	317-00216006-000		317-00216008-000	1	500	547-550	9	
24	25.75-25.85	30	317-00258006-000		317-00258008-000	1	600	654-657	9	

1-1/4", 1-1/2", 2" and 2-1/2" NPT Taps

Standard			Catalog Number				Ctn. Qty	Metric		
Nom. Sizes Inches	O.D. Range Inches	Wt. Each Lbs.	1-1/4" NPT/32 mm	1-1/2" NPT/40 mm	2" NPT/50 mm	2-1/2" NPT/65 mm		Nom. Size mm	O.D. Range mm	Wt. Each kg.
2	2.35-2.56	3	317-00025610-000	317-00025612-000	N/A	N/A	6	50	60-65	1
3	2.97-3.54	5	317-00035410-000	317-00035412-000	317-00035414-000	N/A	6	80	76-89	2
3-4	3.74-4.13	8	317-00041310-000	317-00041312-000	317-00041314-000	317-00041316-000	6	80-100	95-105	3
*4	4.40-4.50	6	317-00045010-000	317-00045012-000	317-00045014-000	317-00045016-000	6	100	112-114	3
*4	4.40-4.80	6	317-00048010-000	317-00048012-000	317-00048014-000	317-00048016-000	6	100	112-122	3
4-5	4.74-5.14	6	317-00051410-000	317-00051412-000	317-00051414-000	317-00051416-000	6	100	120-130	3
4-5	5.00-5.63	9	317-00056310-000	317-00056312-000	317-00056314-000	317-00056316-000	4	100-125	121-143	4
6	6.94-6.70	9	317-00066310-000	317-00066312-000	317-00066314-000	317-00066316-000	4	150	151-170	4
*6	5.94-6.90	9	317-00069010-000	317-00069012-000	317-00069014-000	317-00069016-000	4	150	151-175	4
6	6.84-7.60	7	317-00076010-000	317-00076012-000	317-00076014-000	317-00076016-000	4	150	174-193	3
6-8	7.69-8.72	11	317-00087210-000	317-00087212-000	317-00087214-000	317-00087216-000	4	150-200	195-221	5
*6-8	7.69-9.05	11	317-00090510-000	317-00090512-000	317-00090514-000	317-00090516-000	4	150-200	195-230	5
8-10	8.54-10.10	9	317-00101010-000	317-00101012-000	317-00101014-000	317-00101016-000	4	200-250	217-256	4
*10	10.75-11.10	9	317-00111010-000	317-00111012-000	317-00111014-000	317-00111016-000	4	250	273-282	5
10-12	10.64-12.12	11	317-00121210-000	317-00121212-000	317-00121214-000	317-00121216-000	4	250-300	271-307	5
*12	12.75-13.20	9	317-00132010-000	317-00132012-000	317-00132014-000	317-00132016-000	4	300	324-335	6
12-14	12.62-14.32	14	317-00143210-000	317-00143212-000	317-00143214-000	317-00143216-000	4	300-350	321-363	6
12-14	14.73-15.65	18	317-00156510-000	317-00156512-000	317-00156514-000	317-00156516-000	1	300-350	375-397	8
14-16	15.95-17.25	19	317-00172510-000	317-00172512-000	317-00172514-000	317-00172516-000	1	350-400	406-438	9
16	17.25-17.80	19	317-00178010-000	317-00178012-000	317-00178014-000	317-00178016-000	1	410	438-452	9
16-18	17.40-18.88	19	317-00188810-000	317-00188812-000	317-00188814-000	317-00188816-000	1	400-450	442-479	9
*18	19.38-19.68	19	317-00195010-000	317-00195012-000	317-00195014-000	317-00195016-000	1	450	492-500	9
*20	21.55-21.65	19	317-00216010-000	317-00216012-000	317-00216014-000	317-00216016-000	1	500	547-500	9
24	25.75-25.85	30	317-00258010-000	317-00258012-000	317-00258014-000	317-00258016-000	1	600	654-657	9

When properly sized from the factory, this product meets the requirements listed in the Uni-Bell PVC Pipe Association's "Handbook of PVC Pipe" and in the AWWA's "Manual M23: PVC Pipe Design and Installation."



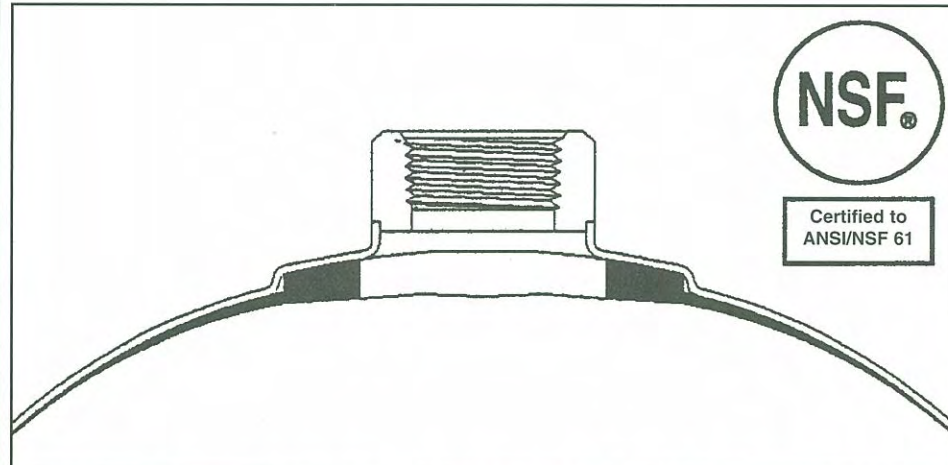
3" and 4" NPT Taps


Standard			Catalog Number		Ctn. Qty	Metric		
Nom. Sizes Inches	O.D. Range Inches	Wt. Each Lbs.	3" NPT/80 mm	4" NPT/100 mm		Nom. Size mm	O.D. Range mm	Wt. Each kg.
6	6.84-7.60	13	317-00076017-000	317-00076018-000	2	150	174-193	6
8-10	8.54-10.10	15	317-00101017-000	317-00101018-000	3	200-250	217-256	7
*10	10.75-11.10	14	See 357's page 22	See 357's page 22	-	-	-	-
10-12	10.64-12.12	14	317-00121217-000	317-00121218-000	2	250-300	271-307	6
*12	12.75-13.20	18	See 357's page 22	See 357's page 22	-	-	-	-
12-14	12.62-14.32	18	317-00143217-000	317-00143218-000	2	300-350	321-363	8

*Sized for use on C900 PVC pipe.

BSP Thread Tap Codes

Size	Code Number	Example
1/2"	59	
3/4"	50	
1"	51	
1 1/4"	54	3" NPT 317-00076017-000
1 1/2"	52	3" BSP 317-00076056-000
2"	53	
2 1/2"	55	
3"	56	





NSF®

Certified to
ANSI/NSF 61

Smith-Blair®'s unique, pressure-energized TaperSeal™ gaskets hold high pressures with just a few foot pounds of torque, to provide optimum sealing efficiency.

When properly sized from the factory, this product meets the requirements listed in the Uni-Bell PVC Pipe Association's "Handbook of PVC Pipe" and in the AWWA's "Manual M23: PVC Pipe Design and Installation."