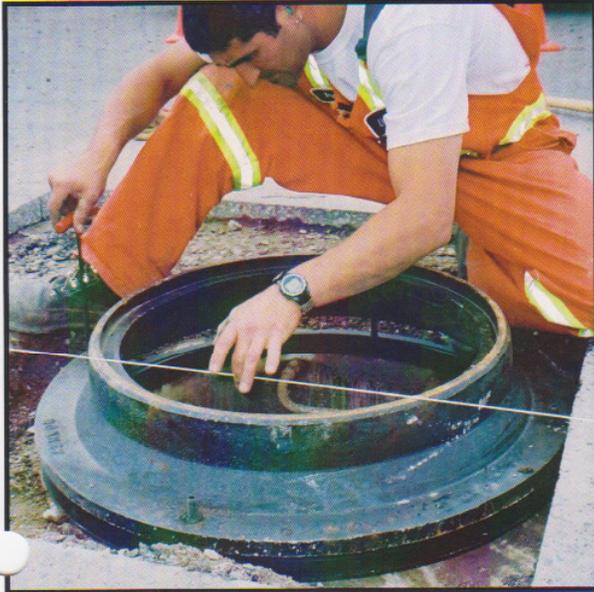




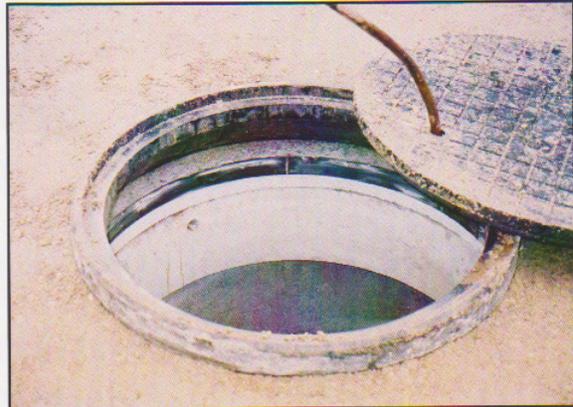
## **“ADJUSTABLE” MANHOLE FRAME AND “SUPPORT RING”**

DESIGN TO PROVIDE AN EASY, QUICK AND SUSTAINABLE METHOD TO ADJUST CASTINGS



- Significantly REDUCES EXPENSE achieving accurate and sustainable frame adjustment
- Accurate adjustment that drives smooth and reduces inflow
- For long term sustainability structural concrete is placed homogeneously around and under the frame eliminating structural failure, infiltration and freeze/thaw damage.
- Significantly reduces environmental impacts, road and collection network maintenance
- To easily achieve accurate adjustment frame uses low alloy - high strength corrosion resistant set screws
- Reduces injury potential, frustration and provides stability during construction
- All casting designs can easily be manufactured using these design benefits
- Installation specification and detail drawing provided

## **“THE UNIQUE SUPPORT RING”**

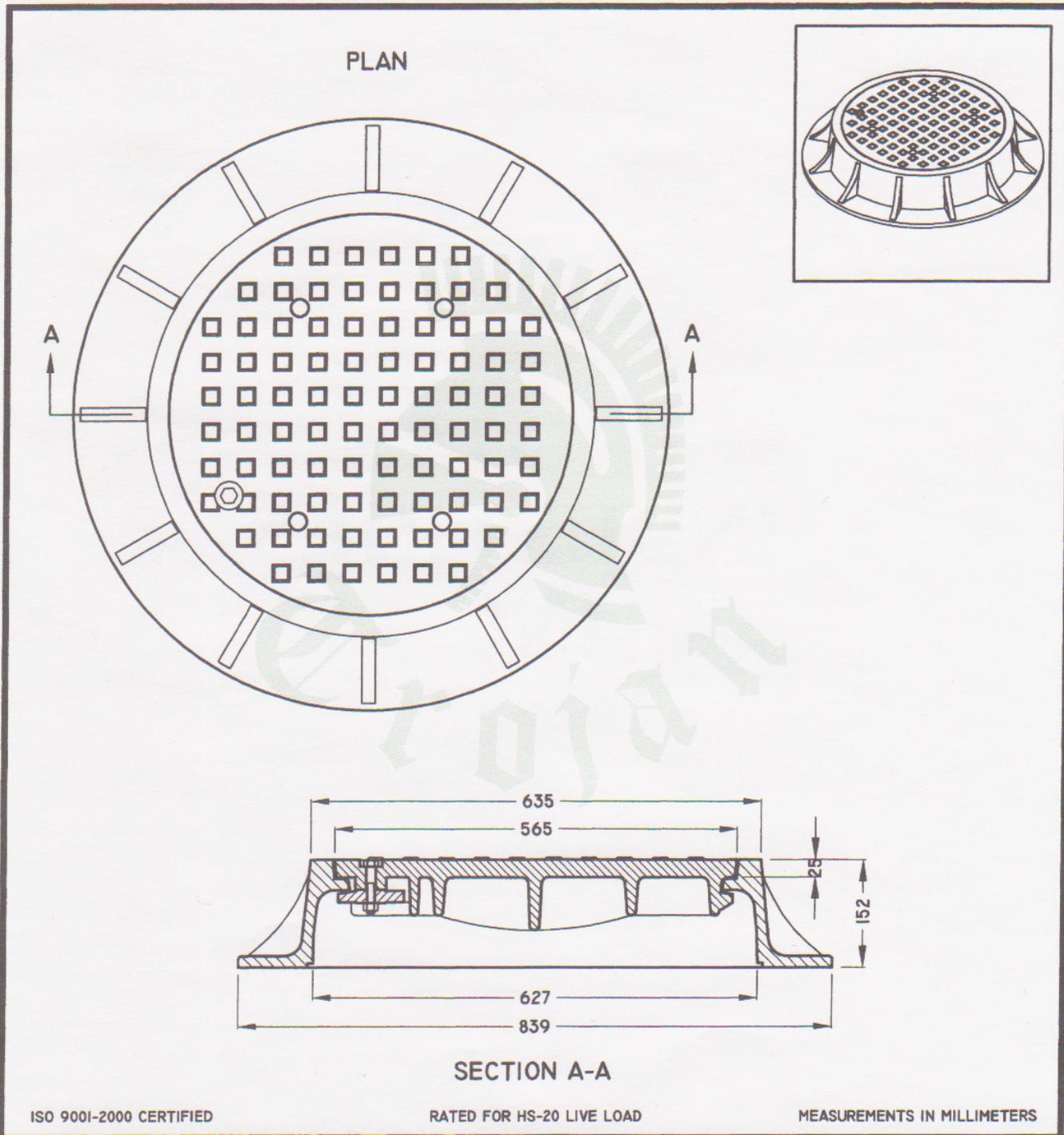


- Support Ring provides support that exceeds highest “H” load requirements
- Keeps the frame center over the manhole opening
- Provides a concrete form for maximum concrete placement and stops concrete from sloughing into the manhole opening
- Support Ring is light and easy to install
- Support Ring is made from Ductile Iron will not deteriorate and can be re-used



# STANDARD FRAME AND LOCKING COVER

TF-39

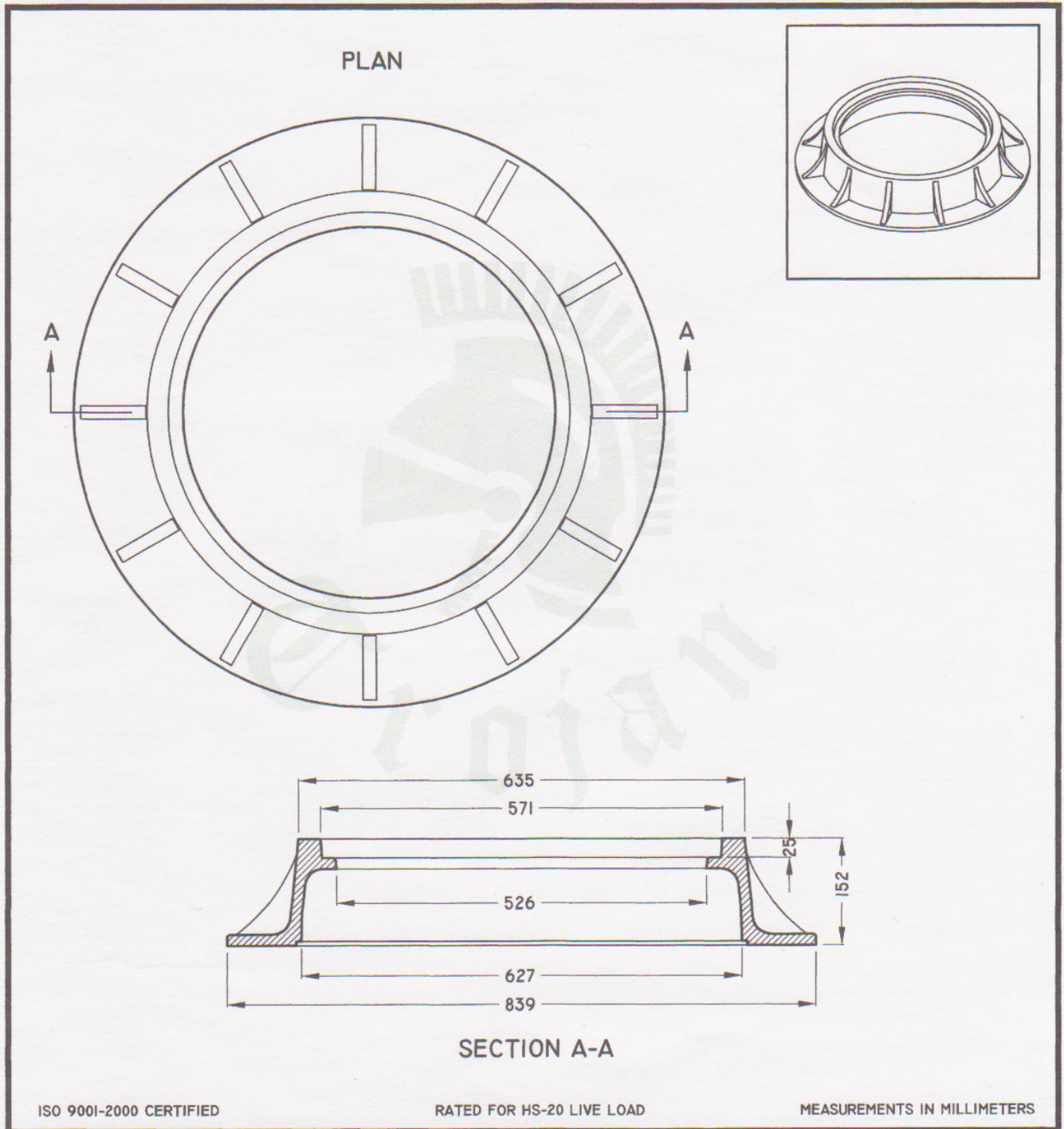


**TROJAN INDUSTRIES INC.**  
CALGARY • EDMONTON, ALBERTA



# STANDARD FRAME

TF-39

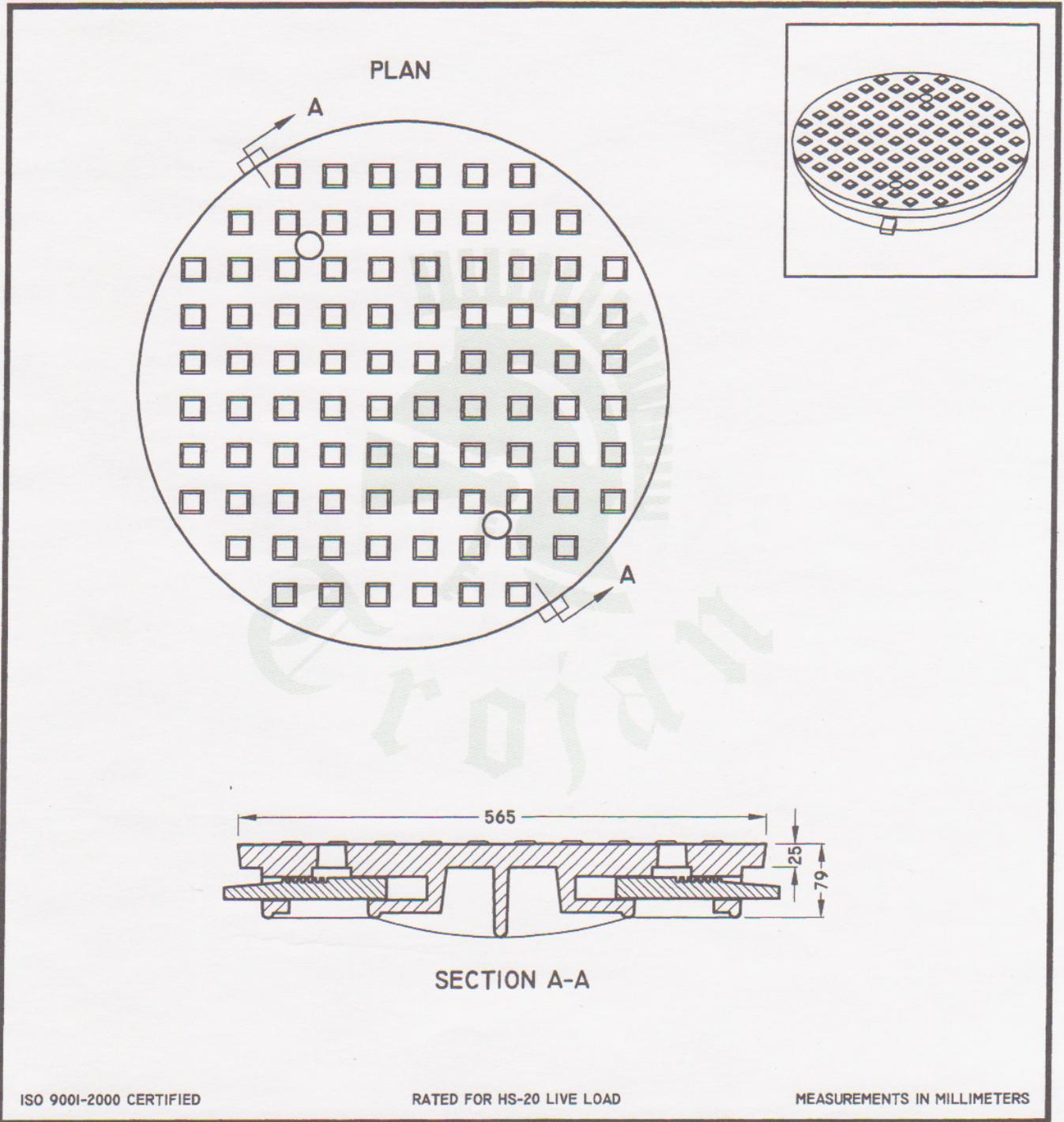


**TROJAN INDUSTRIES INC.**  
CALGARY • EDMONTON, ALBERTA



LOCKING COVER-COUNTRY STYLE

TF-39 CS



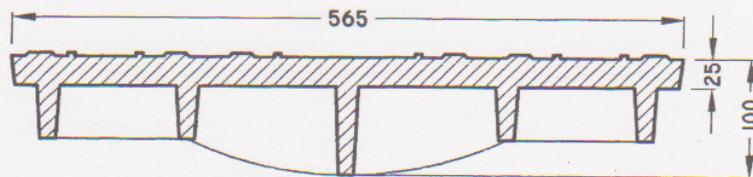
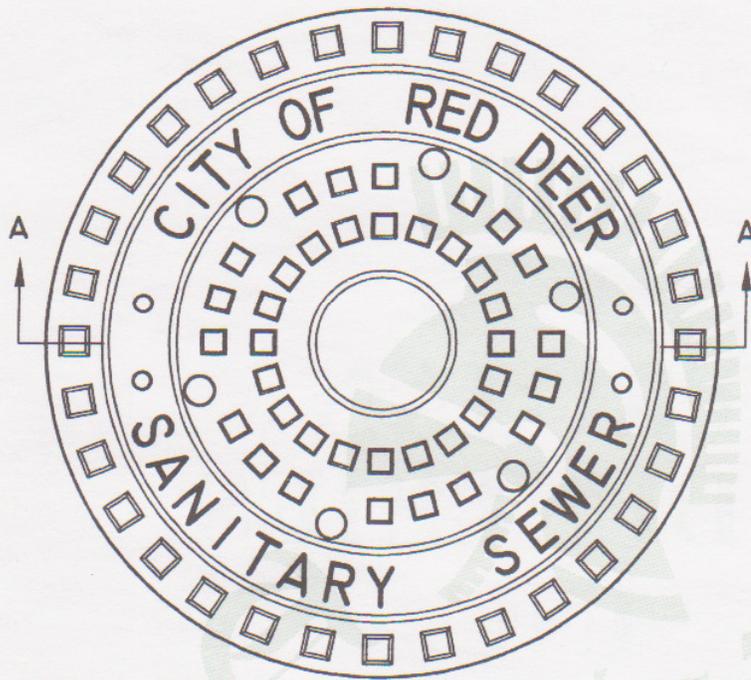
**TROJAN INDUSTRIES INC.**  
CALGARY • EDMONTON, ALBERTA



# MANHOLE COVER

TF-39

PLAN



SECTION A-A

ISO 9001-2000 CERTIFIED

RATED FOR HS-20 LIVE LOAD

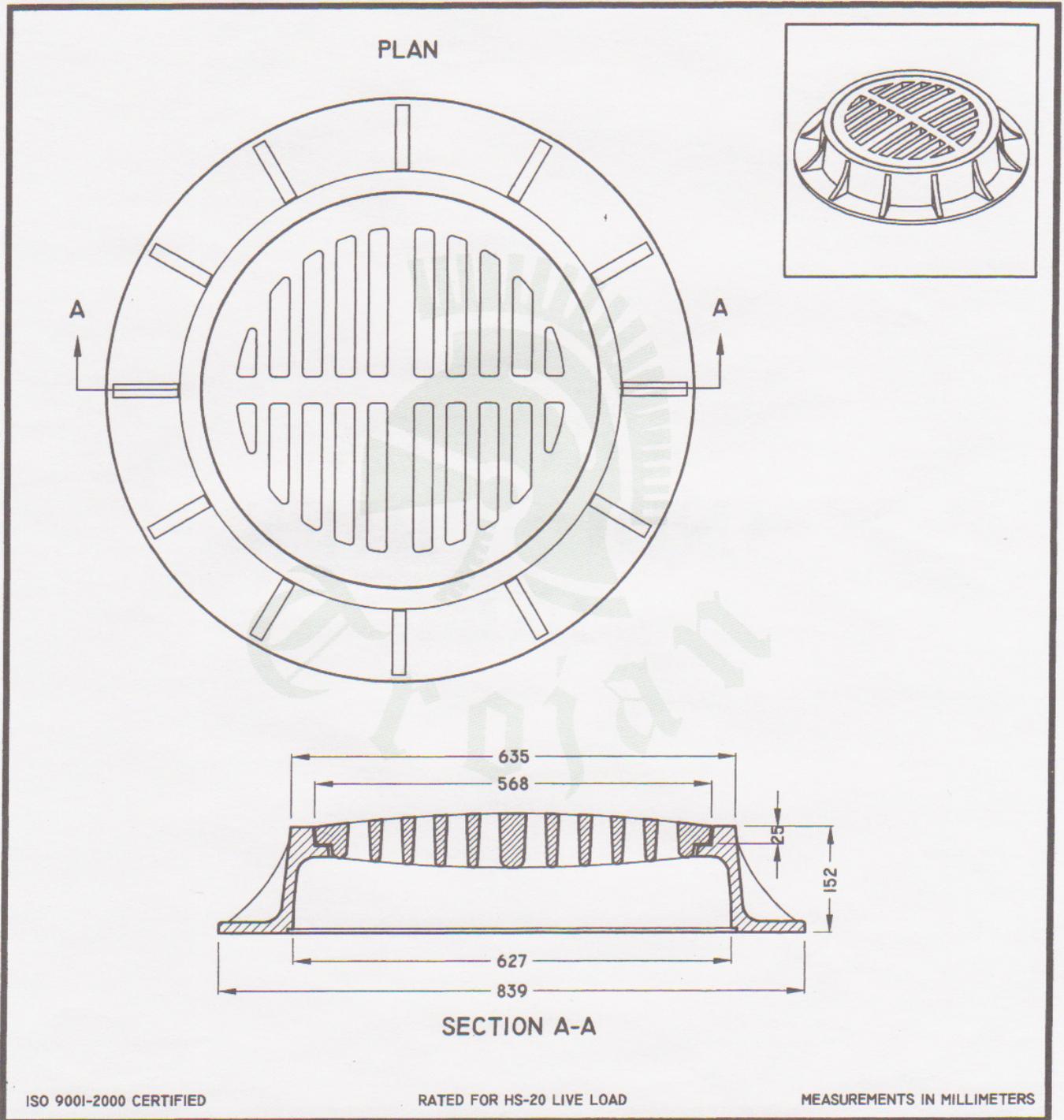
MEASUREMENTS IN MILLIMETERS

**TROJAN INDUSTRIES INC.**  
CALGARY • EDMONTON, ALBERTA



# FRAME AND GRATE

TF-39

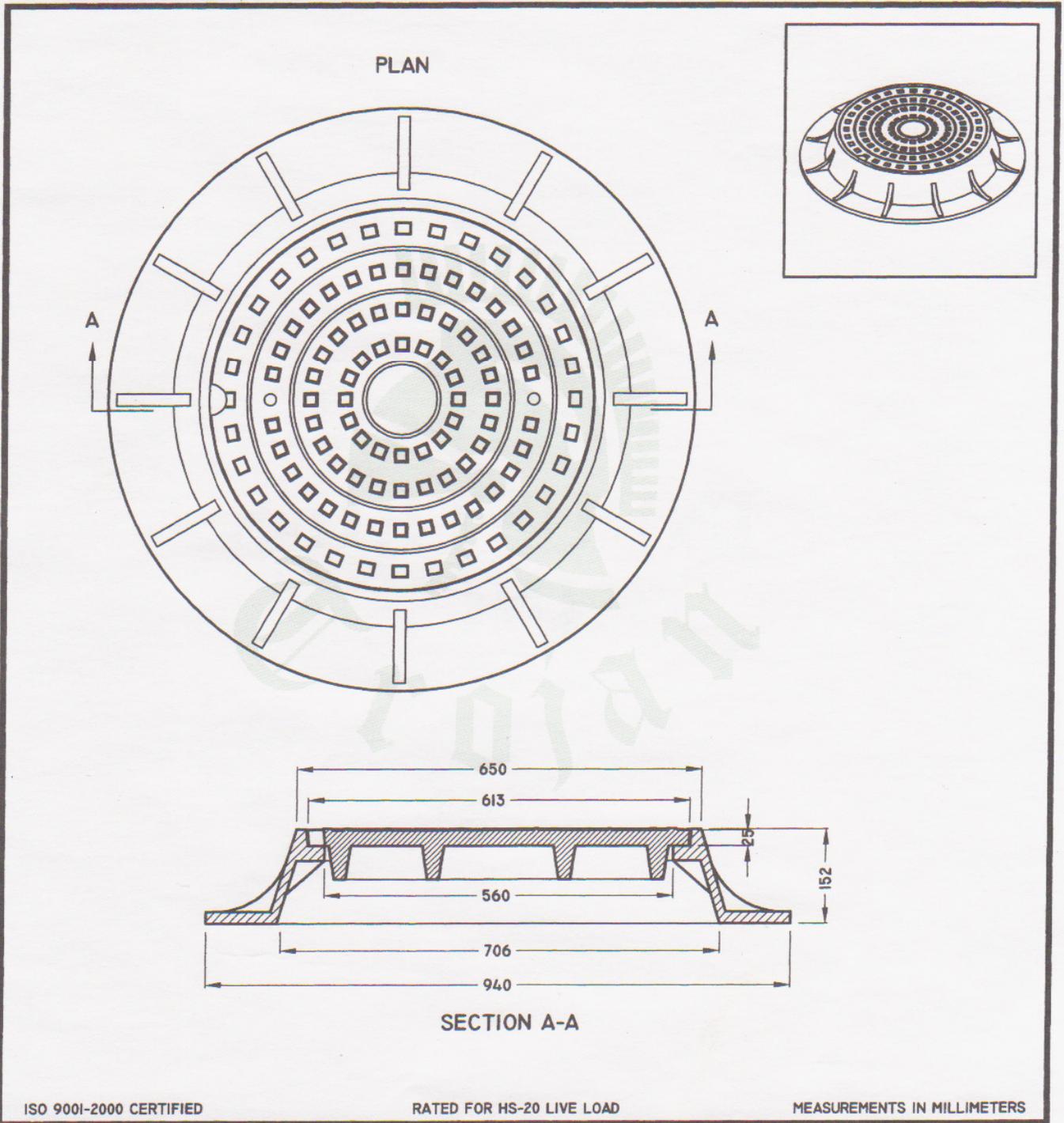


**TROJAN INDUSTRIES INC.**  
CALGARY • EDMONTON, ALBERTA



SHALLOW FRAME AND COVER

TF-50

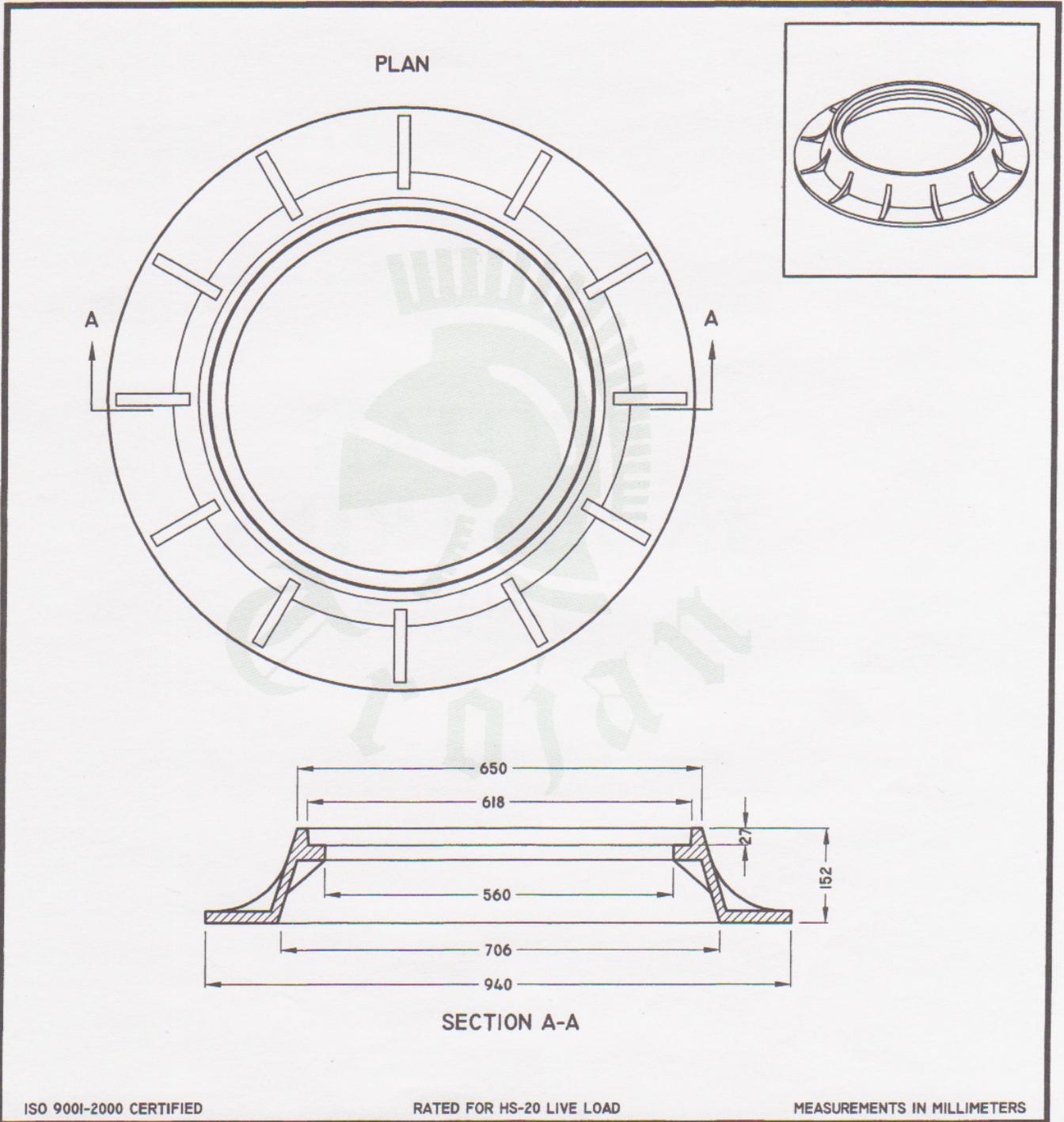


**TROJAN INDUSTRIES INC.**  
CALGARY • EDMONTON, ALBERTA



# SHALLOW FRAME

TF-50



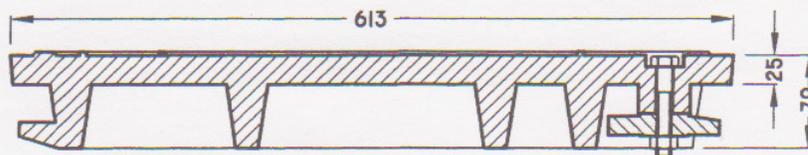
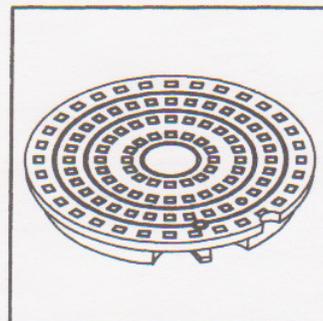
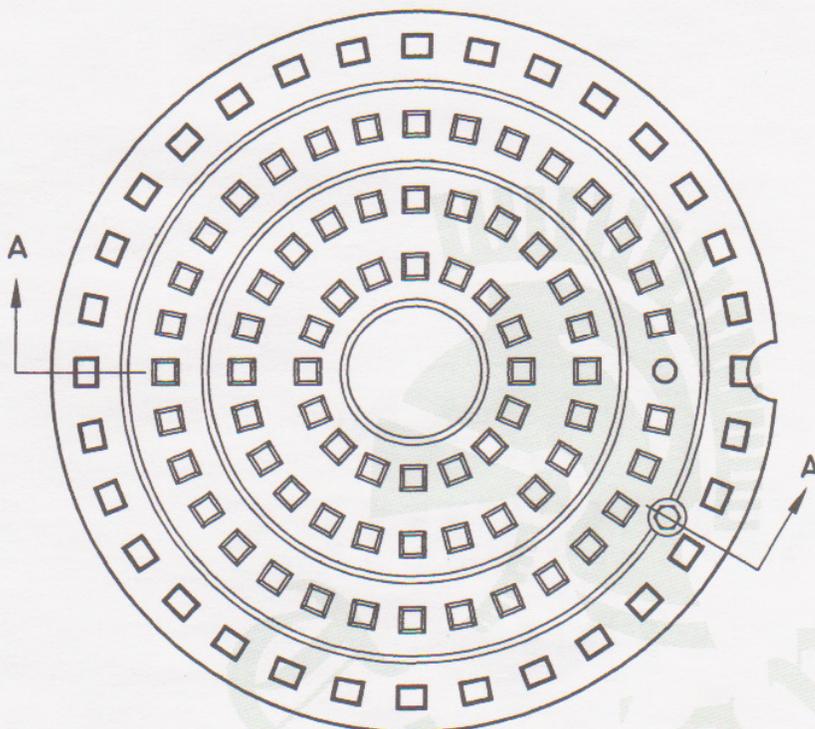
**TROJAN INDUSTRIES INC.**  
CALGARY • EDMONTON, ALBERTA



# MANHOLE LOCKING COVER

TF-50

PLAN



SECTION A-A

ISO 9001-2000 CERTIFIED

RATED FOR HS-20 LIVE LOAD

MEASUREMENTS IN MILLIMETERS

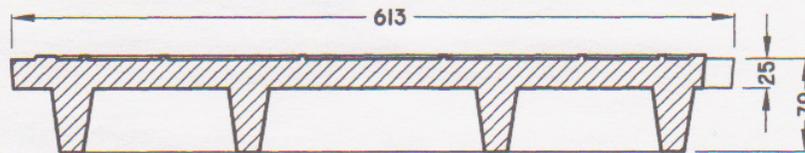
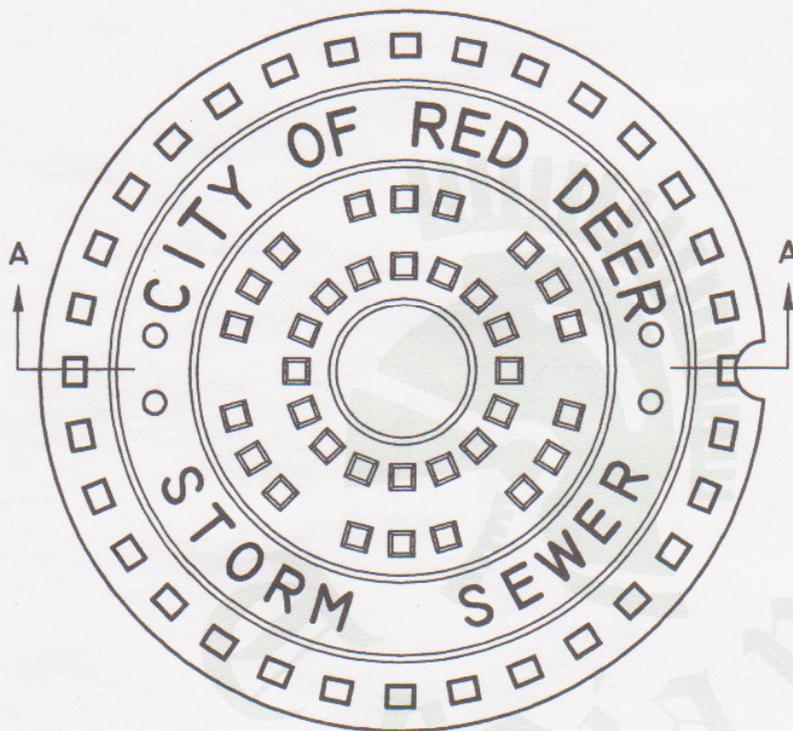
**TROJAN INDUSTRIES INC.**  
CALGARY • EDMONTON, ALBERTA



# MANHOLE COVER

TF-50

PLAN



SECTION A-A

ISO 9001-2000 CERTIFIED

RATED FOR HS-20 LIVE LOAD

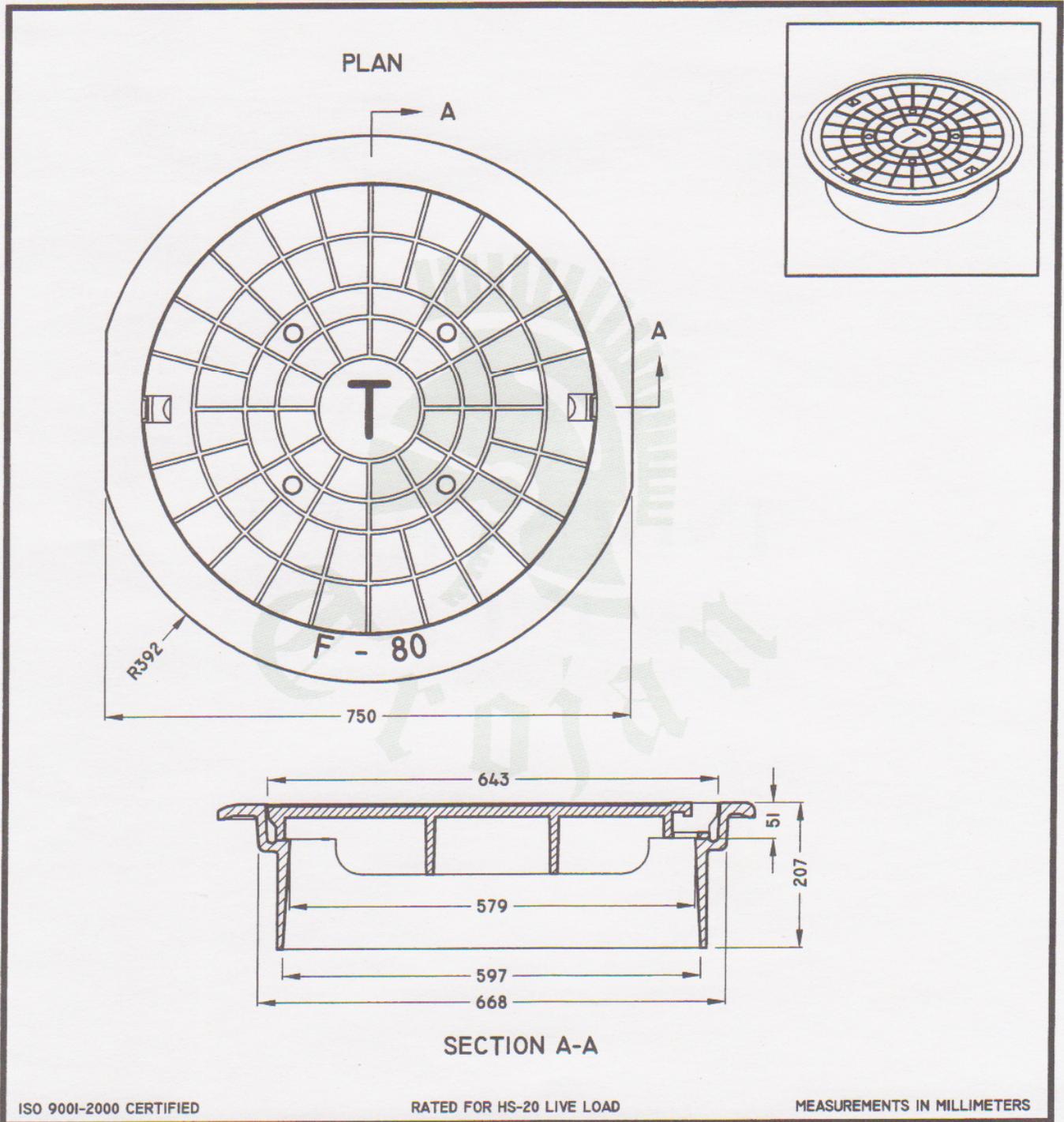
MEASUREMENTS IN MILLIMETERS

**TROJAN INDUSTRIES INC.**  
CALGARY • EDMONTON, ALBERTA



# FLOATING FRAME AND COVER

TF-80

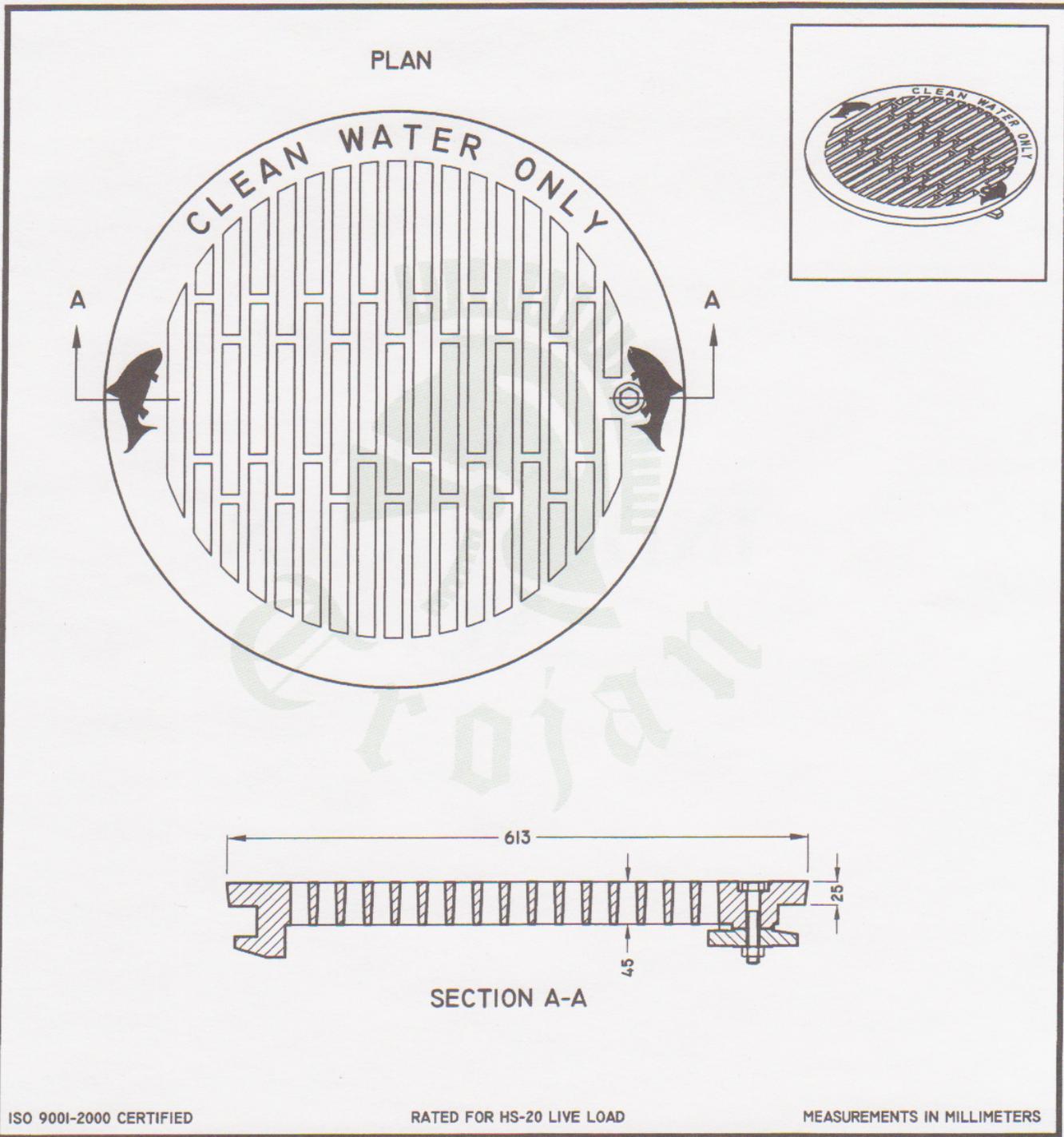


**TROJAN INDUSTRIES INC.**  
CALGARY • EDMONTON, ALBERTA



# LOCKING GRATE

TF-50

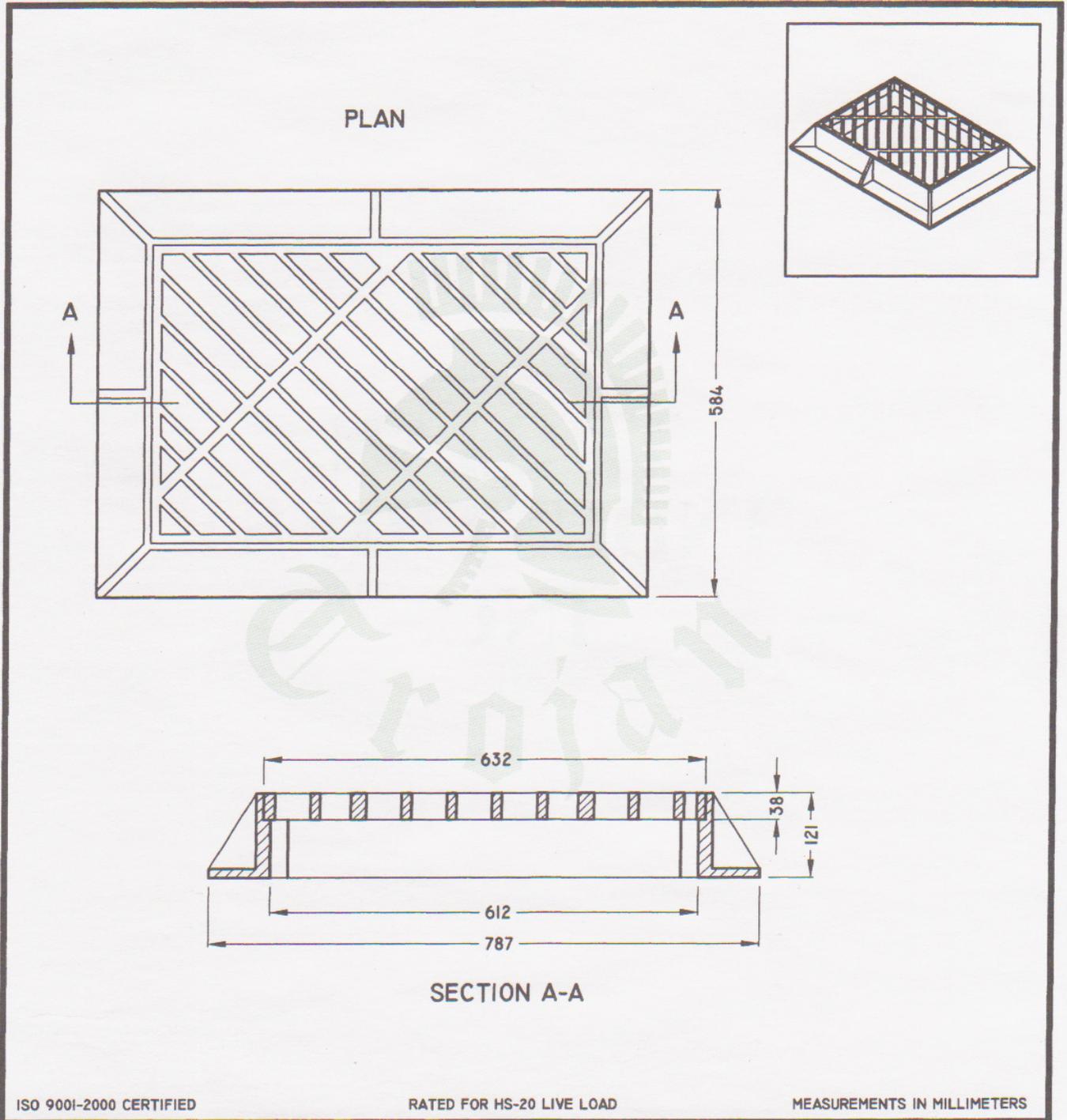


**TROJAN INDUSTRIES INC.**  
CALGARY • EDMONTON, ALBERTA



# FRAME AND GRATE

K-1/TF-51



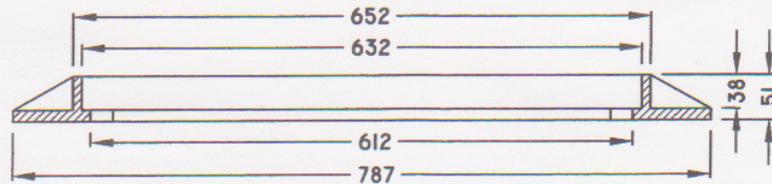
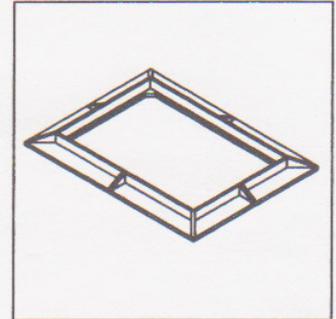
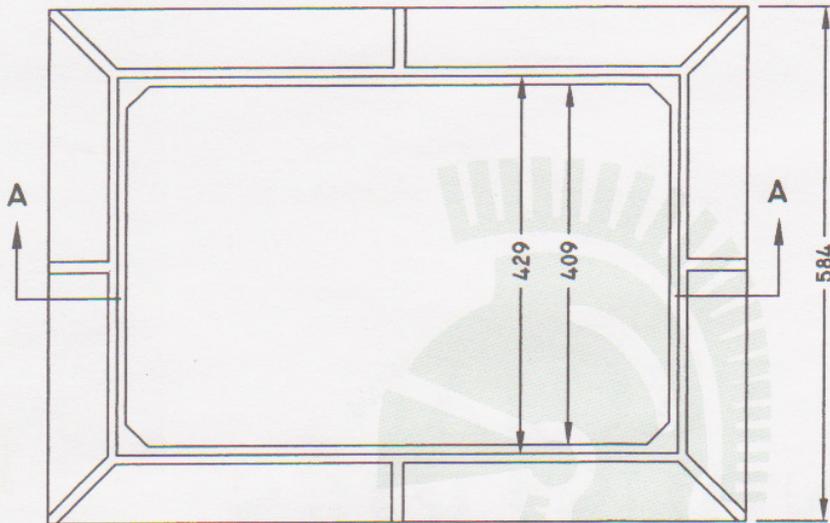
**TROJAN INDUSTRIES INC.**  
CALGARY • EDMONTON, ALBERTA



# LOW PROFILE FRAME

T-KI

PLAN



SECTION A-A

ISO 9001-2000 CERTIFIED

RATED FOR HS-20 LIVE LOAD

MEASUREMENTS IN MILLIMETERS

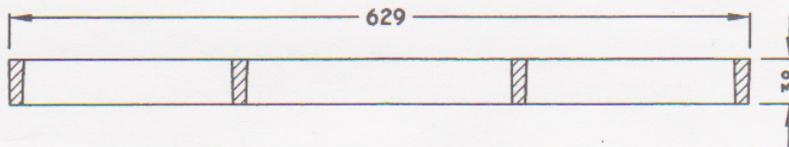
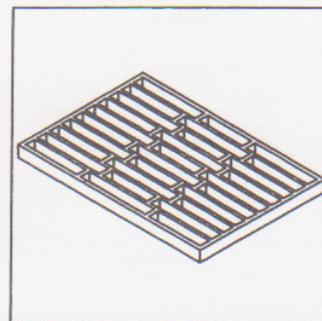
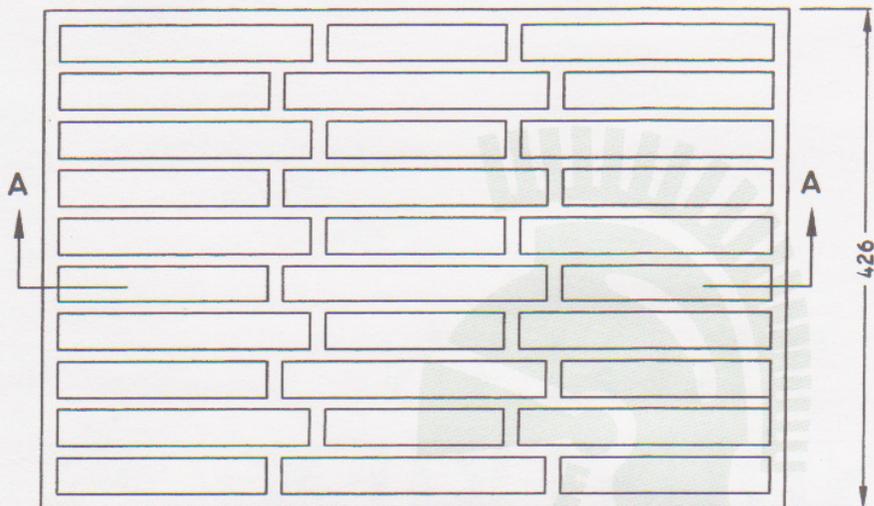
**TROJAN INDUSTRIES INC.**  
CALGARY • EDMONTON, ALBERTA



# STANDARD GRATE

T-KI

PLAN



SECTION A-A

ISO 9001-2000 CERTIFIED

RATED FOR HS-20 LIVE LOAD

MEASUREMENTS IN MILLIMETERS

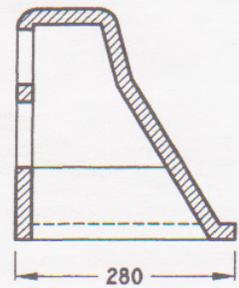
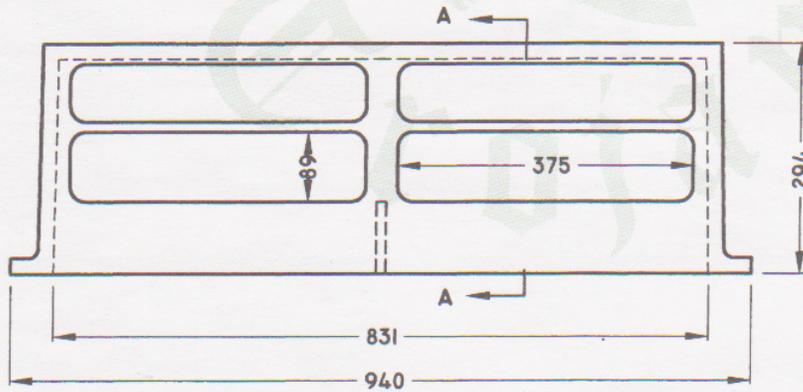
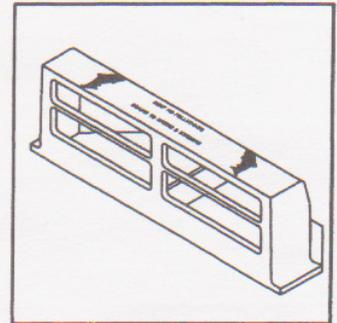
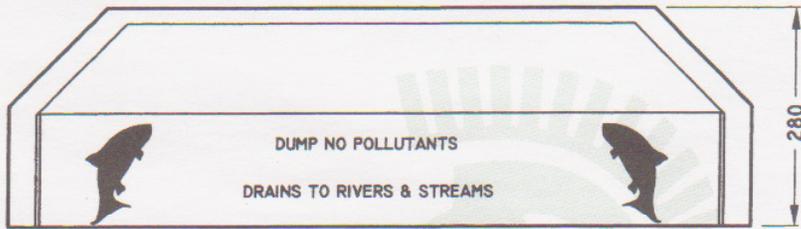
**TROJAN INDUSTRIES INC.**  
CALGARY • EDMONTON, ALBERTA



# I PIECE SIDE INLET

K-I/TF-5I

PLAN



SECTION A-A

FRONT VIEW

ISO 9001-2000 CERTIFIED

RATED FOR HS-20 LIVE LOAD

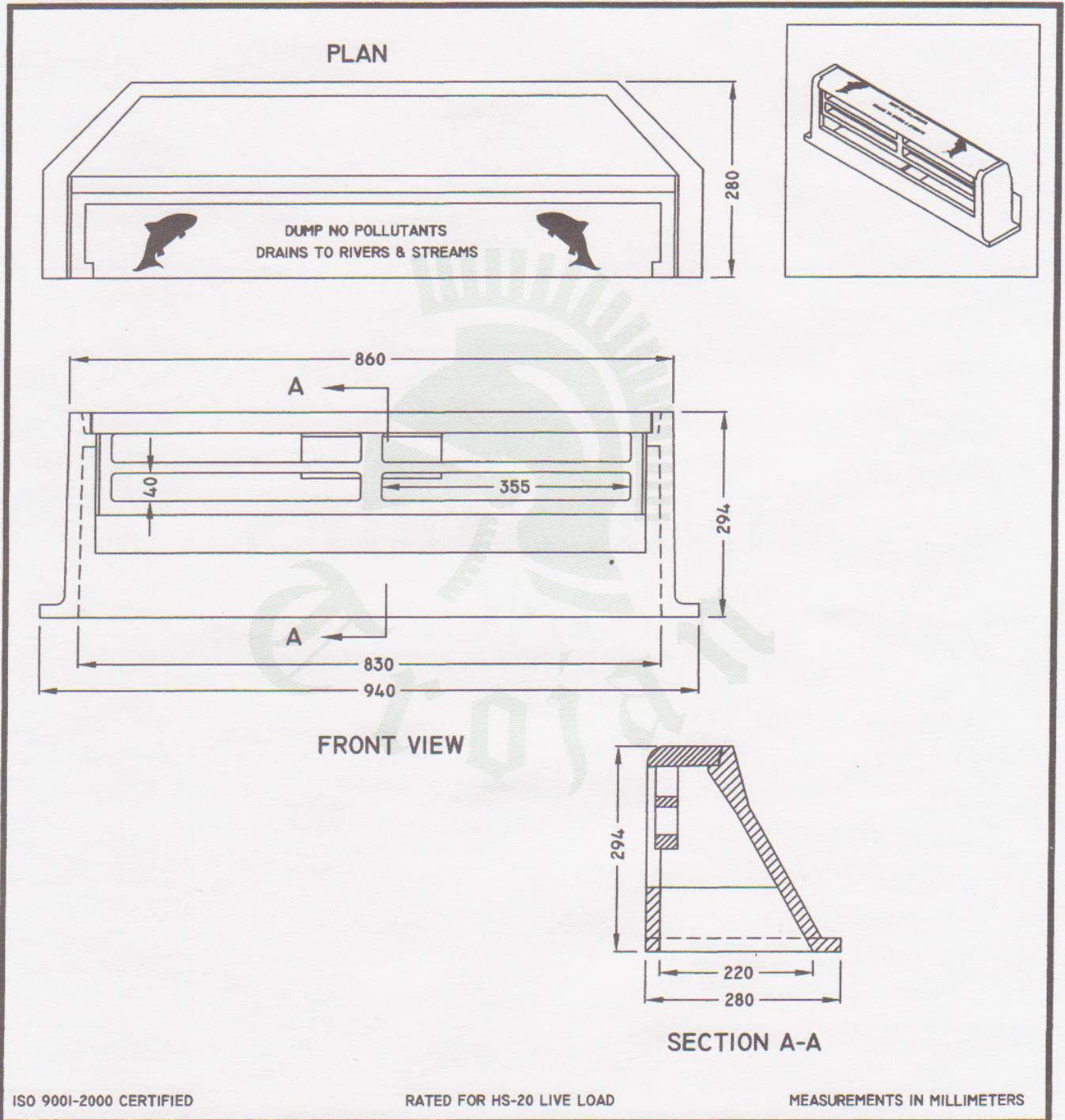
MEASUREMENTS IN MILLIMETERS

**TROJAN INDUSTRIES INC.**  
CALGARY • EDMONTON, ALBERTA



# STANDARD 2 PIECE SIDE INLET

K-IA

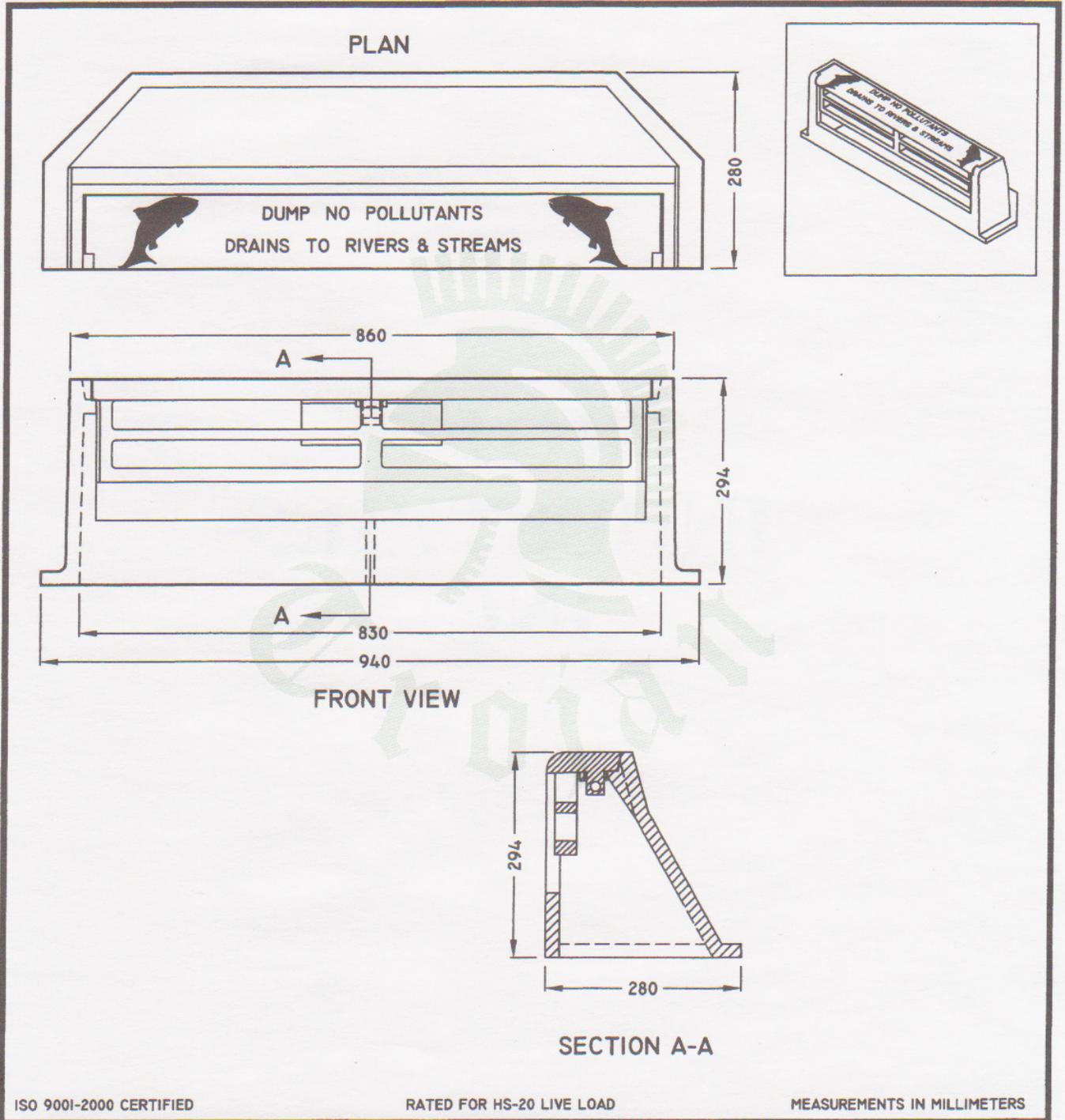


**TROJAN INDUSTRIES INC.**  
CALGARY • EDMONTON, ALBERTA



## 2 PIECE SIDE INLET WITH LOCK

K-1A/51A

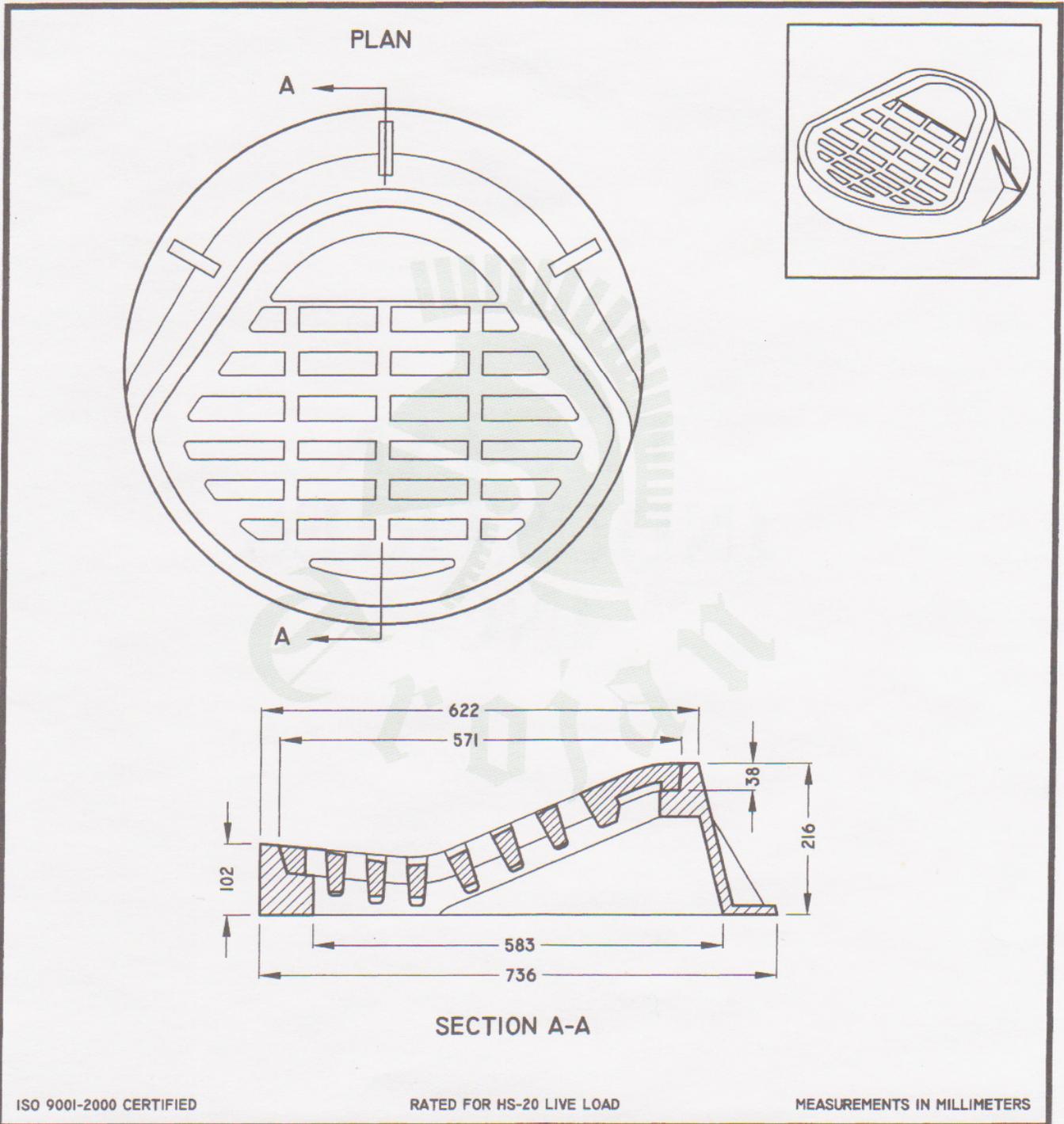


**TROJAN INDUSTRIES INC.**  
CALGARY • EDMONTON, ALBERTA



# FRAME AND GRATE

TF-33



**TROJAN INDUSTRIES INC.**  
CALGARY • EDMONTON, ALBERTA