



# Section L

9/2009; Web Revision 10/2010



# Ford Pipe Repair Products

**The Ford Meter Box Company, Inc.**  
775 Manchester Avenue, P.O. Box 443, Wabash, Indiana, USA 46992-0443  
Telephone: 260-563-3171 FAX: 800-826-3487 Overseas FAX: 260-563-0167  
<http://www.fordmeterbox.com>



# Contents

Hydrostatic Test Pressures – Average . . . . .	3
Specifications . . . . .	4
Installation Instructions . . . . .	5
All Stainless Steel Style FS1 Quality Circle Repair Clamps . . . . .	6
All Stainless Steel Style FS2 Quality Circle Repair Clamps . . . . .	7
All Stainless Steel Style FS3 Quality Circle Repair Clamps . . . . .	7
Fordflex Style F1 Quality Circle Repair Clamps . . . . .	8
Fordflex Style F2 Quality Circle Repair Clamps . . . . .	9
Fordflex Style F3 Quality Circle Repair Clamps . . . . .	9
Ford Style FSC Snap Clamps . . . . .	10
Ford Style FSC Wrap Clamps . . . . .	10
Ford All Stainless Steel Style FLSC Snap Clamps . . . . .	11
Ford All Stainless Steel Style FLSC Wrap Clamps . . . . .	11
Ford Style FCC Repair Clamps for Solvent Weld PVC Couplings . . . . .	12
Ford Style FIBC Repair Clamps for Integral Bell Solvent Weld PVC . . . . .	12
Ford Style FBC Bell Joint Leak Clamps . . . . .	13
Bolt Extension Kit for Bell Joint Leak Clamps . . . . .	13
O.D. Chart . . . . .	14
Warranty . . . . .	16

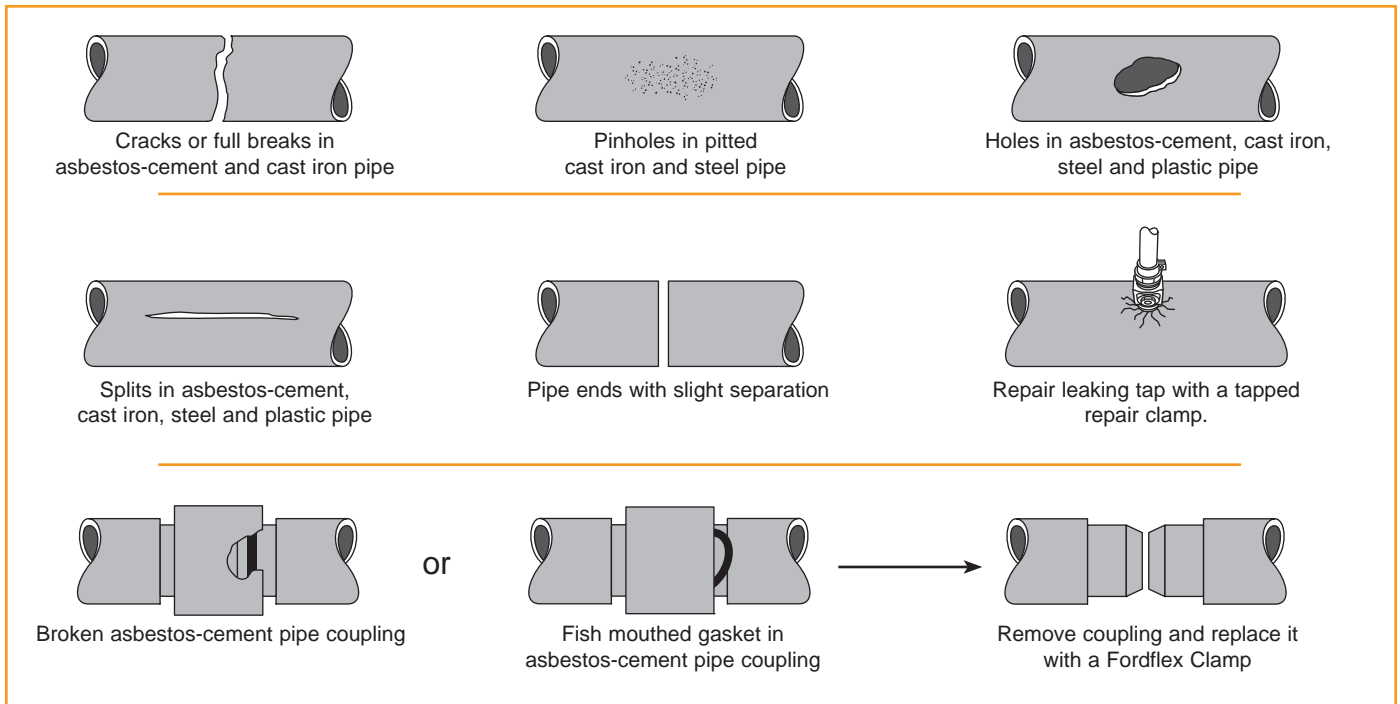
TYPE OF CLAMP		CLAMP LENGTH	
<b>F1</b>	= Single Band Stainless Steel Clamp with Ductile Iron Lugs	<b>3</b>	= 3" (FSC, FSC-R and FLSC only)
<b>F2</b>	= Double Band Stainless Steel Clamp with Ductile Iron Lugs	<b>6</b>	= 6" (FSC, FSC-R and FLSC)
<b>F2W</b>	= Special Range Double Band Stainless Steel Clamp with Ductile Iron Lugs	<b>75</b>	= 7-1/2"
<b>F3</b>	= Triple Band Stainless Steel Clamp with Ductile Iron Lugs	<b>9</b>	= 9" (FSC, FSC-R and FLSC only)
<b>FS1</b>	= Single Band All Stainless Steel Clamp	<b>10</b>	= 10"
<b>FS2</b>	= Double Band All Stainless Steel Clamp	<b>12</b>	= 12" (FSC, FSC-R and FLSC only)
<b>FS3</b>	= Triple Band All Stainless Steel Clamp	<b>125</b>	= 12-1/2"
<b>FSC</b>	= Snap Clamp	<b>15</b>	= 15"
<b>FLSC</b>	= All Stainless Steel Snap Clamp	<b>20</b>	= 20"
<b>FCC</b>	= Repair Clamp for Coupling Solvent Weld PVC	<b>24</b>	= 24"
<b>FBC</b>	= Bell Joint Leak Clamp	<b>30</b>	= 30"
<b>FIBC</b>	= Repair Clamp for Integral Bell Solvent Weld PVC		

(Lengths are not required on styles FBC, FCC and FIBC)

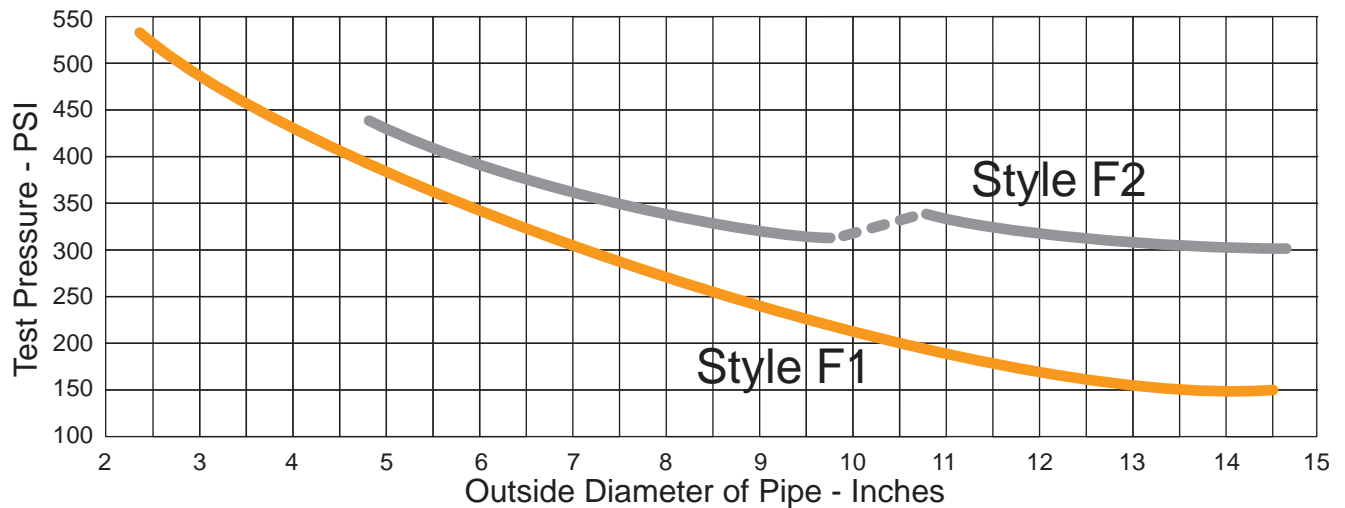
**F S 1 - 9 3 9 - 1 5 - C C 4**

<p><b>O.D. SIZE</b></p> <p>For most clamp styles, the O.D. size number indicates the top end of the range. Use listed Catalog sizes.</p>	<p><b>OPTIONAL FEATURES</b></p> <p><b>CC3</b> = 3/4" AWWA Tapped Thread  <b>CC4</b> = 1" AWWA Tapped Thread  <b>CC5</b> = 1-1/4" AWWA Tapped Thread  <b>CC6</b> = 1-1/2" AWWA Tapped Thread  <b>CC7</b> = 2" AWWA Tapped Thread  <b>CS</b> = Conductivity Strips  <b>EPDM</b> = EPDM Rubber Gasket for Repair Clamp  <b>E3</b> = E-Coated Lugs (F1, F2, F3, FCC and FIBC)  <b>IP3</b> = 3/4" Iron Pipe Tapped Thread  <b>IP4</b> = 1" Iron Pipe Tapped Thread  <b>IP5</b> = 1-1/4" Iron Pipe Tapped Thread  <b>IP6</b> = 1-1/2" Iron Pipe Tapped Thread  <b>IP7</b> = 2" Iron Pipe Tapped Thread  <b>N</b> = Buna-N Rubber Gasket for Repair Clamp  <b>R</b> = Wrap Clamp, features a 360° gasket  <b>SH</b> = Stainless Steel Nuts &amp; Bolts (for ductile lug clamps)</p>
--	--

# Typical Problems Solved With Ford Repair Clamps



## Hydrostatic Test Pressures – Average



### Conditions of Test

- Test Pipe: asbestos-cement, cast iron or steel
- Two pieces of test pipe with average space of 1/8" between ends, coupled together with 7-1/2" wide Fordflex Clamp
- 5/8" bolts (clamps up through 4.73" O.D.) tightened to a torque of 30-35 ft. lbs., 5/8" bolts (clamps over 4.73" O.D.) to 70-80 ft. lbs., and 3/4" bolts to 90-100 ft. lbs.

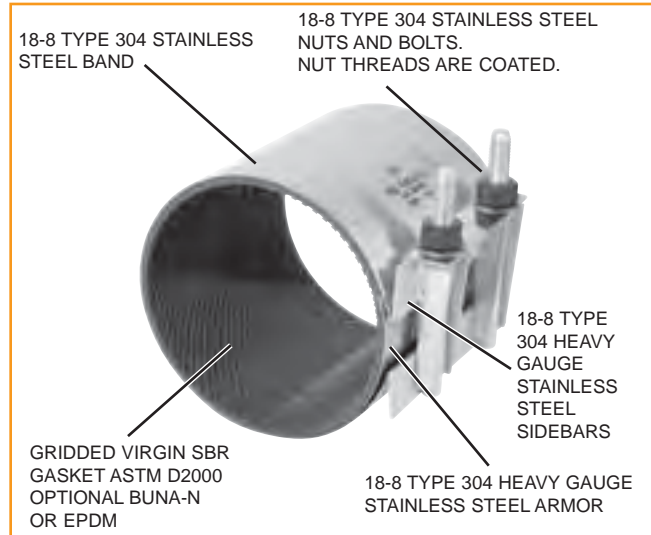
Ford offers more than 10,000 products that are Classified by Underwriters Laboratories Inc. to ANSI/NSF Standard 61. To verify if a product is classified to this Standard, contact the Ford Meter Box Customer Service Department at 260-563-3171 or go to <http://database.ul.com/cgi-bin/XYV/template/LISEXT/1FRAME/index.htm> to view our compliant product listings. The UL marking will be on the box label to indicate that the product is classified to the ANSI/NSF Standard 61. Ford Meter Box meets your needs for products that are proven and reliable.



# Ford Quality Circle Repair Clamps

The Ford Styles FS1, FS2 and FS3 All Stainless Steel Repair Clamp combines the corrosion-resistant characteristics of stainless steel and the sealing capabilities of rubber to provide a strong, dependable and versatile repair clamp.

The All Stainless design is lightweight and easy to handle under adverse conditions associated with almost every main break. The fixed bolt position provides uniform bolt control and fewer parts to fall into the trench. The sliding lifter bar is retained on the bolts by the heavy hex nuts and facilitates the installation by serving as a handle to hold while installing the clamp.

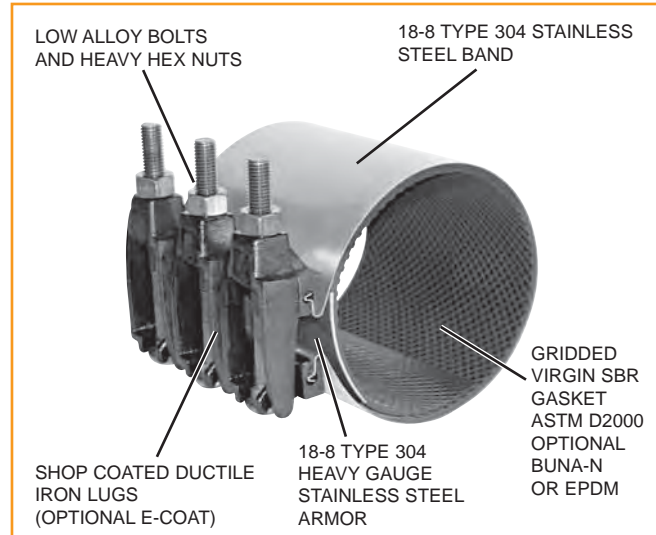


## Specifications:

- Band:** 18-8 Type 304 Stainless Steel.
- Bolts and Heavy Hex Nuts:** 18-8 Type 304 Stainless Steel. Nut threads are coated to prevent galling. Bolts are permanently attached to the clamp sidebar by means of a Metal Inert Gas (MIG) weld.
- Lugs:** 18-8 Type 304 heavy gauge Stainless Steel, MIG welded to clamp sidebar.
- Sidebars:** 18-8 Type 304 heavy gauge Stainless Steel Tungsten Inert Gas (TIG) welded to form a strong, permanent fusion with the repair clamp band.
- Lifter Bar:** 18-8 Type 304 heavy gauge Stainless Steel. Lip curve holds bolts in position while tightening and serves as a bearing surface for nuts and Nylatron GST<sup>™</sup> self lubricating washers.
- Gasket:** Gridded virgin Styrene Butadene Rubber (SBR) compounded for water service, ASTM D2000. Gasket ends are tapered for a dependable seal. SBR is suitable for temperatures of 150°F constant, 180°F intermittent. An optional Buna-N, nitrile gasket is recommended for 220°F constant and/or 240°F intermittent.
- Armor:** 1/4 hard 18-8 Type 304 heavy gauge Stainless Steel vulcanized and recessed into the gasket to ensure uniform compression against the pipe.
- Passivated:** All clamps are fully passivated by means of a chemical technique which restores the corrosion resistant characteristics of the stainless steel.
- Options:**
- Conductivity Strips
  - Buna-N Gasket (suitable for natural gas applications)
  - EPDM Gasket

Ford Styles F1, F2 and F3 Repair Clamps provide a simple and economical method of repairing holes or breaks in water mains, particularly where corrosion is not a factor. Ford clamps offer heavy-duty lug construction for maximum strength and a drop-in bolt design that does not require bolt removal when installing the clamp. There are never any loose parts to lose in the ditch.

Ford Repair Clamps come in a wide variety of styles and cover a wide range of pipe diameters; other fine features of Ford Repair Clamps are shown below.



## Specifications:

- Band:** 18-8 Type 304 Stainless Steel.
- Bolts and Heavy Hex Nuts:** Low alloy per ASTM A242 and AWWA C111.
- Lugs:** Ductile iron ASTM A536. Lugs can be temporarily removed to assist installation in tight spaces.
- Gasket:** Gridded virgin Styrene Butadene Rubber (SBR) compounded for water service ASTM D2000. Gasket ends are tapered for a dependable seal. SBR is suitable for temperatures of 150°F constant, 180°F intermittent. An optional Buna-N, nitrile gasket is recommended for 220°F constant and/or 240°F intermittent.
- Armor:** 1/4 hard 18-8 Type 304 heavy gauge Stainless Steel vulcanized and recessed in the gasket to ensure uniform compression against the pipe.
- Finish:** Shop Coat.
- Options:**
- Stainless Steel Nuts and bolts
  - Conductivity Strips
  - Buna-N Gasket (suitable for natural gas applications)
  - EPDM Gasket
  - E-Coated Lugs

**ANSI/NSF Standard 61**  
see page L-3

# Installation Guide

## Ford Style F Quality Circle Repair Clamps and Ford Style FS All Stainless Steel Quality Circle Repair Clamps

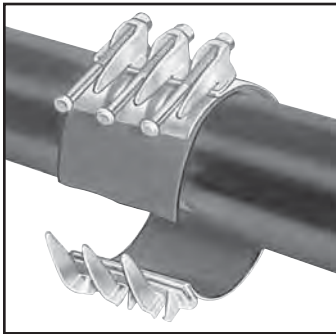
The successful application of a repair clamp depends heavily on the installer.

We suggest the following guidelines as routine practice.

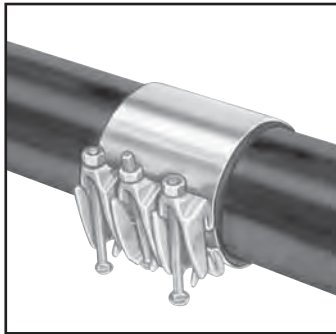
1. **CHECK DIAMETER OF PIPE TO MAKE CERTAIN YOU ARE USING THE CORRECT SIZE CLAMP.**
2. Scrape pipe to remove as much dirt and corrosion as possible so surface is smooth.
3. Make certain the gasket is free of foreign material and that nothing becomes lodged between the gasket and the pipe. Lubricate the pipe and/or gasket with soapy water to achieve maximum results.
4. Avoid loose fitting wrenches and wrenches that are too short to achieve proper torque of nuts. A torque wrench is recommended.
5. Although threads are coated to prevent galling between bolt and nut, keep threads free of foreign material to facilitate tightening.
6. Tighten all sections of a multi-section clamp evenly to the recommended torque.
7. **ALWAYS RECHECK TORQUE AND PRESSURE TEST FOR LEAKS BEFORE BACKFILLING.**
8. Backfill and compact carefully around clamp according to pipe manufacturer's instructions.

Caution: Repair clamps are not designed to restrain axial pipe movement. Make sure proper restraint is applied when necessary.

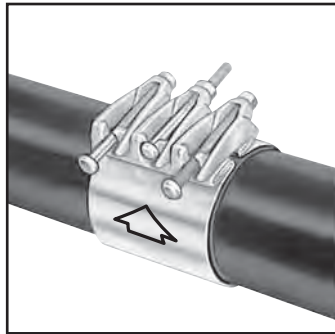
### Installing an F1 Repair Clamp



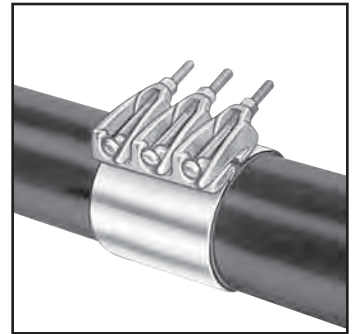
Back off nuts to end of bolts, but DO NOT remove them. Separate clamp and position on the pipe with the bolt lug section on top.



Hook the middle bolt into the receiver lug and tighten the nut until the bolt is secure.



ROTATE THE CLAMP in the direction of the arrow approximately 1/4 turn to ensure proper gasket positioning.



Squeeze the two lug sections together. Tighten the bolts evenly with incremental torque settings, up to the recommended torque.

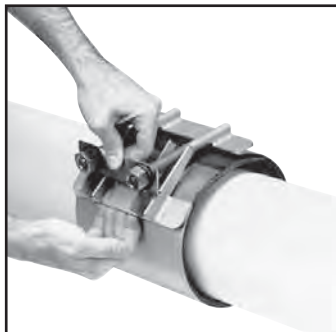
#### RECOMMENDED TORQUE

Clamp Top Range	Bolt Diameter	Approx. Torque
Thru 5.62"	5/8"	30 / 35 ft. lbs.
6.35" & Above	5/8"	75 ft. lbs.

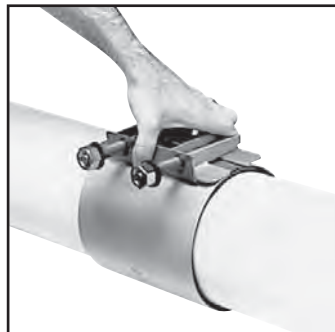
### Installing an FS1 All Stainless Steel Repair Clamp



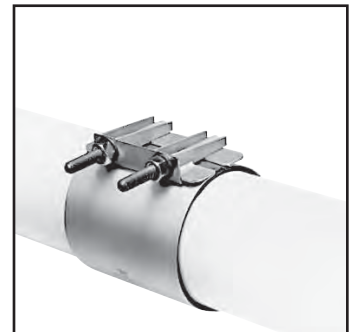
Back off nuts to end of bolts, but DO NOT remove them. Separate clamp and wrap it around the pipe by holding the lifter bar and bolts above the pipe and sliding the receiver section under the pipe.



Bring the lifter bar and receiver section together at a convenient position on top of the pipe.



Slide the lifter bar up the receiver lugs and snap into place. Spin one of the nuts hand tight.



Tighten all nuts evenly with incremental torque settings, up to the recommended torque.

For a proper installation Ford recommends that bolts be tightened to the following torque values; for 1/2" bolts - 50-60 Ft. Lbs., 5/8" bolts (clamps up through 4.73" O.D.) - 30-35 Ft. Lbs., 5/8" bolts (clamps over 4.73" O.D.) - 70-80 Ft. Lbs., and 3/4" bolts - 90-100 Ft. Lbs.



# Ford All Stainless Steel Quality Circle Repair Clamps

ANSI/NSF Standard 61  
see page L-3

## Style FS1 (single section) Operating Range .40" (4" and larger)

**To order:** Specify Catalog Number x Length of clamp desired.

**Example:** FS1-724 x 12.5 would be a one-section clamp for pipe with an O.D. of between 6.84 and 7.24, and the length of the clamp would be 12.5".

**Options Include:** Buna-N Gasket - add "-N" to Catalog Number  
EPDM Gasket - add "-EPDM" to Catalog Number  
Conductivity Strips - add "-CS" to Catalog Number

**Note:** Sizes and lengths not listed (including metric) are available upon request. Contact the Ford Meter Box Customer Service Department for information.

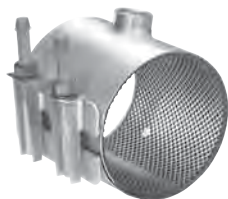


FORD ALL STAINLESS STEEL QUALITY CIRCLE REPAIR CLAMPS - STYLE FS1 (SINGLE SECTION) - OPERATING RANGE .40" (4" AND LARGER)

NOM. PIPE SIZE	PIPE O.D. RANGE	CATALOG NUMBER	LENGTH AND APPROXIMATE SHIPPING WEIGHT LBS.								
			6"	7.5"	10"	12.5"	15"	20"	24"	30"	
2"	2.05-2.25	FS1-225xLength	4 Lbs.	4 Lbs.	5 Lbs.	5 Lbs.	N/A	N/A	N/A	N/A	
	2.35-2.63	FS1-263xLength	4	4	5	5	7	N/A	N/A	N/A	
2-1/4"x2-1/2"	2.70-3.00	FS1-300xLength	4	5	5	6	8	N/A	N/A	N/A	
3"	2.97-3.25	FS1-325xLength	4	5	5	6	9	N/A	N/A	N/A	
	3.46-3.70	FS1-370xLength									
	3.73-4.00	FS1-400xLength									
3"- 4"	3.96-4.25	FS1-425xLength	5	5	6	7	9	N/A	N/A	N/A	
	4.45-4.73	FS1-473xLength									
4"	4.74-5.14	FS1-514xLength	5	6	7	8	10	14	16	21	
	4.95-5.35	FS1-535xLength									
	5.22-5.62	FS1-562xLength									
6"	5.95-6.35	FS1-635xLength	N/A	7	9	10	14	17	21	27	
	6.56-6.96	FS1-696xLength									
	6.84-7.24	FS1-724xLength									
	7.05-7.45	FS1-745xLength									
	7.45-7.85	FS1-785xLength									
8"	7.95-8.35	FS1-835xLength	N/A	8	10	11	15	19	24	30	
	8.54-8.94	FS1-894xLength									
	8.99-9.39	FS1-939xLength									
	9.27-9.67	FS1-967xLength									
10"	9.70-10.10	FS1-1010xLength	N/A	11	14	16	24	28	32	42	
	10.60-11.04	FS1-1104xLength									
	11.04-11.44	FS1-1144xLength									
	11.34-11.74	FS1-1174xLength									
	11.75-12.15	FS1-1215xLength									
12"	12.00-12.40	FS1-1240xLength	N/A	13	16	18	27	30	36	48	
	12.60-13.02	FS1-1302xLength									
	13.10-13.50	FS1-1350xLength									
	13.40-13.80	FS1-1380xLength									
	13.70-14.10	FS1-1410xLength									
	14.00-14.40	FS1-1440xLength									
NUMBER OF STUDS			2	2	3	3-4*	4	6	7	9	

\*12.5" long clamps in the 10" and 12" Nominal Pipe Size have 4 studs.

## Tapped Repair Clamps



### Tapping Codes

CC (AWWA) THREAD				IP THREAD			
SIZE	CODE NUMBER	MIN. CLAMP SIZE		SIZE	CODE NUMBER	MIN. CLAMP SIZE	
		FS1	FS2			FS1	FS2
3/4"	CC3	2.63	5.24	3/4"	IP3	2.63	5.24
1"	CC4	2.63	5.24	1"	IP4	2.63	5.24
1-1/4"	CC5	3.70	5.24	1-1/4"	IP5	3.70	5.24
1-1/2"	CC6	4.25	5.24	1-1/2"	IP6	3.70	5.24
2"	CC7	4.73	5.57	2"	IP7	4.25	5.57

**OUTLET TAPS** for corporation stops are available on Ford Stainless Steel Clamps. The Minimum Clamp Size for each tap type and size is listed in the Tapping Code table above. The tapped outlet is 18-8 Type 304 stainless steel and is "fused" to the clamp band by a fully passivated TIG weld.

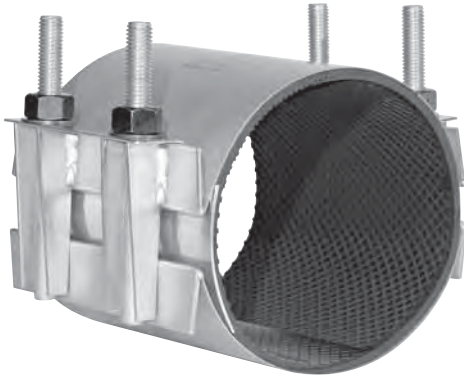
**To Order:** 1. Select the proper code from table to match desired size and type of thread.  
2. Add code to catalog number of repair clamp.

Example: The number for an FS1-724-12.5 with a 3/4" CC tap is FS1-724-125-CC3.

**Note:** Tapped Repair Clamps are non-returnable.

# Ford All Stainless Steel Quality Circle Repair Clamps

ANSI/NSF Standard 61  
see page L-3



## Style FS2 (double section) Operating Range .80"

**To order:** Specify Catalog Number x Length of clamp desired.

**Example:** FS2-764 x 10 would be a two-section clamp for pipe with an O.D. of between 6.84 and 7.64, and the length of the clamp would be 10".

**Options Include:** Buna-N Gasket - add "-N" to Catalog Number  
EPDM Gasket - add "-EPDM" to Catalog Number  
Conductivity Strips (FS2-979 and larger) - add "-CS" to Catalog Number

**Note:** Sizes and lengths not listed (including metric) are available upon request. Contact the Ford Meter Box Customer Service Department for information.

NOM. PIPE SIZE	PIPE O.D. RANGE	CATALOG NUMBER	LENGTH AND APPROXIMATE SHIPPING WEIGHT LBS.						
			7.5"	10"	12.5"	15"	20"	24"	30"
4"	4.44-5.24	FS2-524xLength	11 Lbs.	14 Lbs.	18 Lbs.	26 Lbs.	32 Lbs.	38 Lbs.	N/A
	4.74-5.57	FS2-557xLength							
6"	6.62-7.42	FS2-742xLength	12	15	19	28	35	42	45
	6.84-7.64	FS2-764xLength							
8"	8.62-9.42	FS2-942xLength	13	17	21	30	38	46	51
	8.99-9.79	FS2-979xLength							
10"	10.70-11.50	FS2-1150xLength	N/A	18	23	32	41	50	54
	11.04-11.84	FS2-1184xLength							
	11.60-12.40	FS2-1240xLength							
12"	12.70-13.50	FS2-1350xLength	N/A	19	25	34	44	54	57
	13.14-13.94	FS2-1394xLength							
	13.65-14.45	FS2-1445xLength							
14"	15.07-15.82	FS2-1582xLength	N/A	20	27	36	47	58	63
16"	17.15-17.90	FS2-1790xLength	N/A	22	29	38	50	62	66
NUMBER OF STUDS			4	6	6-8*	8	12	14	18

\* 12.5" long clamps in the 10" thru 16" Nominal Pipe Size have 8 studs.

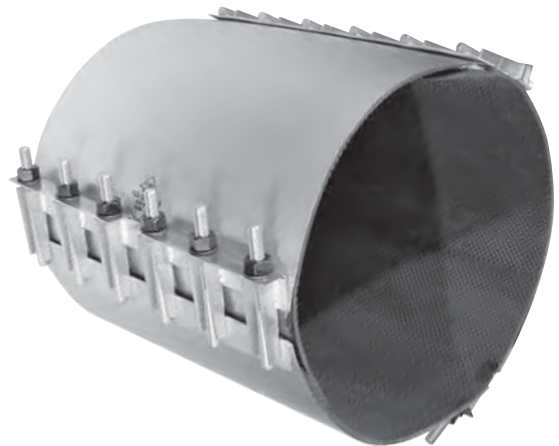
## Style FS3 (triple section) Operating Range 1.20"

**To order:** Specify Catalog Number x Length of clamp desired.

**Example:** FS3-1920 x 24 would be a three-section clamp for pipe with an O.D. between 18.00 and 19.20, and the length of the clamp would be 24".

**Options Include:** Buna-N Gasket - add "-N" to Catalog Number  
EPDM Gasket - add "-EPDM" to Catalog Number  
Conductivity Strips - add "-CS" to Catalog Number

**Note:** Sizes and lengths not listed (including metric) are available upon request. Contact the Ford Meter Box Customer Service Department for information.



NOM. PIPE SIZE	PIPE O.D. RANGE	CATALOG NUMBER	LENGTH AND APPROXIMATE SHIPPING WEIGHT LBS.				
			12.5"	15"	20"	24"	30"
16"	17.10-18.30	FS3-1830xLength	31 Lbs.	40 Lbs.	52 Lbs.	64 Lbs.	77 Lbs.
18"	18.00-19.20	FS3-1920xLength	35	44	56	68	84
	19.50-20.70	FS3-2070xLength					
20"	21.60-22.80	FS3-2280xLength	41	48	60	73	89
24"	25.80-27.00	FS3-2700xLength	46	53	65	79	102
NUMBER OF STUDS			12	12	18	21	27

# Ford Quality Circle Repair Clamps

## Style F1 (single section)

### Operating Range .40" (4" and larger)

ANSI/NSF Standard 61  
see page L-3

**To order:** Specify Catalog Number x Length of clamp desired.

**Example:** F1-724 x 12.5 would be a one-section clamp for pipe with an O.D. of between 6.84 and 7.24, and the length of the clamp would be 12.5".

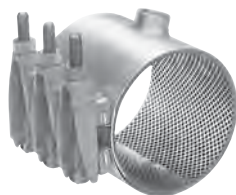
**Options Include:** Buna-N Gasket - add "-N" to Catalog Number  
EPDM Gasket - add "-EPDM" to Catalog Number  
Conductivity Strips - add "-CS" to Catalog Number  
Blue Fluorocarbon Coated Nuts and Bolts - add "-BBN" to Catalog Number  
Type 304 Stainless Steel Bolts & Nuts - add "-SH" to Catalog Number  
E-Coated Lugs - add "-E3" to Catalog Number

**Note:** Sizes and lengths not listed (including metric) are available upon request. Contact the Ford Meter Box Customer Service Department for information.



NOM. PIPE SIZE	PIPE O.D. RANGE	CATALOG NUMBER	LENGTH AND APPROXIMATE SHIPPING WEIGHT LBS.					
			7.5"	10"	12.5"	15"	20"	30"
1"	1.88-2.15	F1-215xLength	7 Lbs.	9 Lbs.	12 Lbs.	14 Lbs.	N/A	N/A
2"	2.35-2.63	F1-263xLength	7	9	12	14	N/A	N/A
2-1/4"-2-1/2"	2.70-3.00	F1-300xLength	7	10	12	14	N/A	N/A
	2.70-3.13	F1-313xLength	7	10	12	14	N/A	N/A
3"	2.97-3.25	F1-325xLength	8	10	12	14	N/A	N/A
	3.46-3.70	F1-370xLength						
	3.73-4.00	F1-400xLength						
3"-4"	3.73-4.13	F1-413xLength	8	11	13	15	N/A	N/A
	3.96-4.25	F1-425xLength						
	4.45-4.75	F1-475xLength						
4"	4.74-5.14	F1-514xLength	11	15	18	22	29	44
	4.95-5.35	F1-535xLength						
	5.22-5.62	F1-562xLength						
6"	5.95-6.35	F1-635xLength	12	16	20	24	32	48
	6.56-6.96	F1-696xLength						
	6.84-7.24	F1-724xLength	13	17	21	25	34	51
8"	7.05-7.45	F1-745xLength						
	7.45-7.85	F1-785xLength						
	7.95-8.35	F1-835xLength	14	19	23	28	37	55
8"	8.54-8.94	F1-894xLength						
	8.99-9.39	F1-939xLength						
	9.27-9.67	F1-967xLength	15	20	25	29	38	58
10"	9.70-10.10	F1-1010xLength						
	9.90-10.30	F1-1030xLength						
	10.60-11.04	F1-1104xLength	16	21	26	31	41	62
10"	11.04-11.44	F1-1144xLength						
	11.34-11.74	F1-1174xLength						
	11.75-12.15	F1-1215xLength						
12"	12.00-12.40	F1-1240xLength	17	22	28	33	44	67
	12.60-13.02	F1-1302xLength						
	13.10-13.50	F1-1350xLength						
12"	13.40-13.80	F1-1380xLength	18	23	29	35	46	70
	13.70-14.10	F1-1410xLength						
	14.00-14.40	F1-1440xLength						

## Tapped Repair Clamps



### Tapping Codes

SIZE	CC (AWWA) THREAD				IP THREAD			
	CODE NUMBER	MIN. CLAMP SIZE		SIZE	CODE NUMBER	MIN. CLAMP SIZE		
		F1	F2 (W)			F1	F2 (W)	
3/4"	CC3	2.63	5.60	3/4"	IP3	2.63	5.60	
1"	CC4	2.63	5.60	1"	IP4	2.63	5.60	
1-1/4"	CC5	3.70	5.60	1-1/4"	IP5	3.70	5.60	
1-1/2"	CC6	4.25	5.60	1-1/2"	IP6	3.70	5.60	
2"	CC7	4.73	5.60	2"	IP7	4.25	5.60	

**OUTLET TAPS** for corporation stops are available on Ford Stainless Steel Clamps. The Minimum Clamp Size for each tap type and size is listed in the Tapping Code table above. The tapped outlet is 18-8 Type 304 stainless steel and is "fused" to the clamp band by a fully passivated TIG weld.

**To Order:** 1. Select the proper code from table to match desired size and type of thread.  
2. Add code to catalog number of repair clamp.

Example: The number for an F1-724-12.5 with a 3/4" CC tap is F1-724-125-CC3.

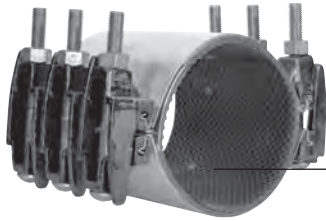
**Note:** Tapped Repair Clamps are non-returnable.



# Ford Quality Circle Repair Clamps

## Style F2 (double section) / Operating Range .80"

ANSI/NSF Standard 61  
see page L-3



**To Order:** Specify Catalog Number x Length of clamp desired.

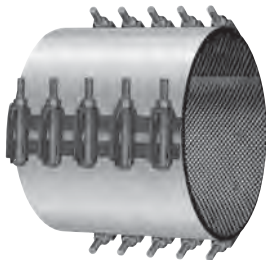
**Example:** F2-1445 x 20 would be a two-section clamp for pipe with an O.D. of between 13.65 and 14.45, and the length of the clamp would be 20".

**Options Include:** Buna-N Gasket - add "-N" to Catalog Number  
EPDM Gasket - add "-EPDM" to Catalog Number  
Conductivity Strips (F2-979 and larger) - add "-CS" to Catalog Number  
Blue Fluorocarbon Coated Nuts and Bolts - add "-BBN" to Catalog Number  
Type 304 Stainless Steel Bolts & Nuts - add "-SH" to Catalog Number  
E-Coated Lugs - add "-E3" to Catalog Number

**Note:** Sizes and lengths not listed (including metric) are available upon request. Contact the Ford Meter Box Customer Service Department for information.

NOM. PIPE SIZE	PIPE O.D. RANGE	CATALOG NUMBER	LENGTH AND APPROXIMATE SHIPPING WEIGHT LBS.					
			7.5"	10"	12.5"	15"	20"	30"
4"	4.44-5.24	F2-524xLength	20 Lbs.	27 Lbs.	32 Lbs.	40 Lbs.	53 Lbs.	80 Lbs.
	4.74-5.57	F2-557xLength						
4" Special	4.45-5.60	F2W-560xLength	N/A	29	N/A	43	58	87
6"	6.62-7.42	F2-742xLength	22	29	36	43	57	86
	6.84-7.64	F2-764xLength						
8"	8.62-9.42	F2-942xLength	23	29	38	46	61	92
	8.99-9.79	F2-979xLength						
10"	10.70-11.50	F2-1150xLength	24	30	42	46	69	98
	10.72-11.72	F2-1172xLength						
	11.04-11.84	F2-1184xLength						
	11.60-12.40	F2-1240xLength						
10" Special	11.04-12.24	F2W-1224xLength	N/A	48	N/A	71	95	144
12"	12.70-13.50	F2-1350xLength	27	30	44	47	70	100
	12.72-13.92	F2-1392xLength						
	13.14-13.94	F2-1394xLength						
	13.65-14.45	F2-1445xLength						
		F2-1445xLength						
12" Special	13.14-14.34	F2W-1434xLength	N/A	50	N/A	75	98	155
	13.65-14.65	F2-1465xLength	N/A	31	N/A	48	71	101
Range	14.38-15.13	F2-1513xLength	N/A	31	N/A	48	71	101
	15.07-15.82	F2-1582xLength	N/A	31	N/A	49	71	101
	15.20-16.20	F2-1620xLength	N/A	32	N/A	49	72	102
	15.92-16.67	F2-1667xLength	N/A	32	N/A	49	72	102
	16.00-17.00	F2-1700xLength	N/A	32	N/A	50	72	103
	16.56-17.31	F2-1731xLength	N/A	32	N/A	50	72	103
	17.15-17.90	F2-1790xLength	N/A	32	N/A	50	72	104
	17.20-18.20	F2-1820xLength	N/A	32	N/A	50	72	104
	17.82-18.57	F2-1857xLength	N/A	33	N/A	52	73	104
	18.46-19.21	F2-1921xLength	N/A	33	N/A	53	73	104
	18.40-19.40	F2-1940xLength	N/A	34	N/A	53	74	105
	19.23-19.98	F2-1998xLength	N/A	34	N/A	53	74	105
	19.40-20.40	F2-2040xLength	N/A	34	N/A	53	74	105
	19.90-20.65	F2-2065xLength	N/A	34	N/A	53	74	105
	20.40-21.40	F2-2140xLength	N/A	34	N/A	53	74	105
	20.70-21.45	F2-2145xLength	N/A	35	N/A	54	75	106
	21.52-22.27	F2-2227xLength	N/A	35	N/A	54	75	106
	21.40-22.40	F2-2240xLength	N/A	36	N/A	55	76	110
	22.12-22.87	F2-2287xLength	N/A	36	N/A	55	76	110
	22.50-23.60	F2-2360xLength	N/A	36	N/A	55	76	110
22.90-23.65	F2-2365xLength	N/A	36	N/A	55	76	110	
<b>NUMBER OF BOLTS</b>			6	8	10	12	16	24

## Style F3 (triple section) / Operating Range 1.20"



**To order:** Specify Catalog Number x Length of clamp desired.

**Example:** F3-2680 x 30 would be a three-section clamp for pipe with an O.D. of between 25.60 and 26.80, and the length of the clamp would be 30".

**Options Include:** Buna-N Gasket - add "-N" to Catalog Number  
EPDM Gasket - add "-EPDM" to Catalog Number  
Conductivity Strips - add "-CS" to Catalog Number  
Type 304 Stainless Steel Bolts & Nuts - add "-SH" to Catalog Number  
E-Coated Lugs - add "-E3" to Catalog Number

**Note:** Sizes and lengths not listed (including metric) are available upon request.

Contact the Ford Meter Box Customer Service Department for information.

NOM. PIPE SIZE	PIPE O.D. RANGE	CATALOG NUMBER	LENGTH AND APPROXIMATE SHIPPING WEIGHT LBS.			
			10"	15"	20"	30"
Range	23.18-24.38	F3-2438xLength	102 Lbs.	148 Lbs.	185 Lbs.	268 Lbs.
	24.28-25.48	F3-2548xLength	104	151	188	272
	25.60-26.80	F3-2680xLength	106	152	190	275
	26.38-27.58	F3-2758xLength	107	155	193	278
	27.55-28.75	F3-2875xLength	109	158	197	283
	28.63-29.83	F3-2983xLength	111	160	202	287
	29.52-30.72	F3-3072xLength	113	163	204	290
<b>NUMBER OF BOLTS</b>			12	18	24	36

# Ford Snap Clamps

## Style FSC

### For Economical Repair of Water Pipe Leaks

Ford Snap Clamps offer a handy and economical way to repair pinholes and other small leaks that do not require a full gasket seal. A heavy gridded gasket design and “cushion lugs” make them ideal for older pitted pipe that has worn thin over the years.

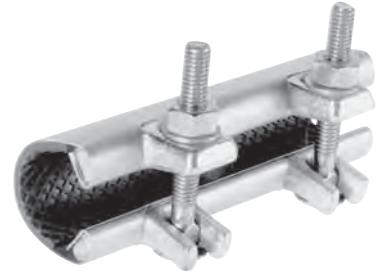
**To order:** Specify Catalog Number by Length of desired clamp. For example, a FSC-190x6 would be a 6" long clamp for 1-1/2" Standard Steel pipe.

**Shell:** 18-8 Type 304 Stainless Steel

**Lugs:** Ductile Iron per ASTM A536, electrodeposited zinc finish

**Gaskets:** Buna-N with heavy grid design extended lug-to-lug

**Bolts:** AISI C1018 steel, 3/8" and/or 7/16" electrodeposited zinc with Di-chromate seal



NOM. PIPE SIZE	PIPE O.D.	CATALOG NUMBER	LENGTH AND APPROXIMATE SHIPPING WEIGHT LBS.							
			3"	CTN. QTY.	6"	CTN. QTY.	9"	CTN. QTY.	12"	CTN. QTY.
1/2"	0.84	FSC-084xLength	.54 Lbs.	25	1.08 Lbs.	12	N/A	-	N/A	-
3/4"	1.05	FSC-105xLength	.55	25	1.10	12	1.7	-	N/A	-
1"	1.32	FSC-132xLength	.56	20	1.12	10	1.7	-	N/A	-
1-1/4"	1.66	FSC-166xLength	.58	18	1.16	12	2.2	-	N/A	-
1-1/2"	1.90	FSC-190xLength	.60	12	1.20	12	2.2	2	2.4	2
2"	2.38	FSC-238xLength	1.00	10	2.00	12	3.2	2	4.0	2
2-1/2"	2.88	FSC-288xLength	1.05	10	2.10	12	3.4	2	4.2	2
3"	3.50	FSC-350xLength	1.30	10	2.60	6	3.6	1	5.2	1
3-1/2"	4.00	FSC-400xLength	1.35	10	2.70	6	3.9	1	5.4	1
4"	4.50	FSC-450xLength	1.40	10	2.80	6	4.0	1	5.6	1
5"	5.56	FSC-556xLength	1.60	6	3.20	3	4.8	1	6.4	1
6"	6.00	FSC-600xLength	1.72	6	3.45	2	4.9	1	6.9	1
	6.63	FSC-663xLength	1.85	6	3.70	2	6.2	1	7.4	1
8"	8.00	FSC-800xLength	2.00	3	4.00	2	6.4	1	8.0	1
	8.63	FSC-863xLength	2.20	3	4.40	2	6.6	1	8.8	1

# Ford Wrap Clamps

## Special Style FSC Clamp with Full-Wrap Gasket

Ford Wrap Clamps offer the same leak repair features of the Snap Clamp with the extra assurance of 360° gasket coverage. Specific sizes are available for I.P.S. steel or copper.

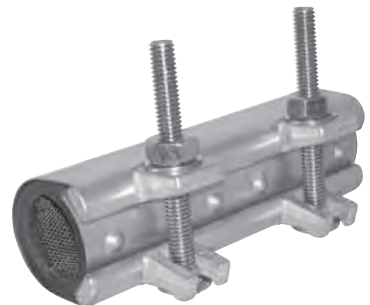
**To order:** Specify Catalog Number. Example: an FSC-190-6R would be a 6" long clamp for 1-1/2" Standard Steel pipe.

**Shell:** 18-8 Type 304 Stainless Steel

**Lugs:** Ductile Iron per ASTM A536, electrodeposited zinc finish

**Gasket:** Buna-N rubber with gridded armored gasket for 360° coverage

**Bolts:** AISI C1018 steel, 3/8" and/or 7/16" electrodeposited zinc with Di-chromate seal

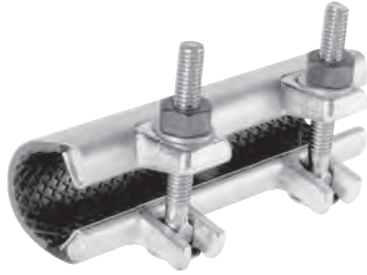


NOM. PIPE SIZE	PIPE O.D.	3" LONG CLAMP (1 BOLT)			6" LONG CLAMP (2 BOLTS)		
		CATALOG NUMBER	APPROX. WT. LBS.	CTN. QTY.	CATALOG NUMBER	APPROX. WT. LBS.	CTN. QTY.
1/2"	0.625	FSC-063-3R	.75	25	N/A	-	-
	0.84	FSC-084-3R			FSC-084-6R	-	-
3/4"	0.875	FSC-088-3R	.78	25	FSC-088-6R	1.56	12
	1.05	FSC-105-3R			FSC-105-6R		
1"	1.125	FSC-113-3R	.85	20	FSC-113-6R	1.51	10
	1.32	FSC-132-3R			FSC-132-6R		
1-1/4"	1.375	FSC-138-3R	.92	18	FSC-138-6R	1.87	12
	1.66	FSC-166-3R			FSC-166-6R		
1-1/2"	1.625	FSC-163-3R	1.03	12	FSC-163-6R	2.05	12
	1.90	FSC-190-3R			FSC-190-6R		
2"	2.125	FSC-213-3R	1.50	10	FSC-213-6R	3.00	12
	2.38	FSC-238-3R			FSC-238-6R		

**To order:** Specify Catalog Number. Example: an FSC-190-6R would be a 6" long clamp for 1-1/2" Standard Steel pipe.

# Ford All Stainless Steel Snap Clamps

Style FLSC



Ford All Stainless Steel Snap Clamps offer a handy way to repair pinholes and other small leaks that do not require a full gasket seal. A heavy gridded gasket design and "cushion lugs" make them ideal for older pitted pipe that has worn thin over the years. The All Stainless Steel Snap Clamp offers the same conveniences and performance of the traditional Snap Clamp with the added security of stainless steel lugs and bolts.

**To order:** Specify Catalog Number by Length of desired clamp. For example, a FLSC-190x6 would be a 6" long clamp for 1-1/2" Standard Steel pipe.

**Shell:** 18-8 Type 304 Stainless Steel

**Lugs:** 18-8 Type 304 Stainless Steel

**Gaskets:** Buna-N with heavy grid design extended lug-to-lug

**Bolts:** 18-8 Type 304 Stainless Steel

NOM. PIPE SIZE	PIPE O.D.	CATALOG NUMBER	LENGTH AND APPROXIMATE SHIPPING WEIGHT LBS.							
			3"	CTN. QTY.	6"	CTN. QTY.	9"	CTN. QTY.	12"	CTN. QTY.
1/2"	0.84	FLSC-084xLength	.54 Lbs.	25	1.08 Lbs.	12	N/A	-	N/A	-
3/4"	1.05	FLSC-105xLength	.55	25	1.10	12	1.7	-	N/A	-
1"	1.32	FLSC-132xLength	.56	20	1.12	10	1.7	-	N/A	-
1-1/4"	1.66	FLSC-166xLength	.58	18	1.16	12	1.8	-	N/A	-
1-1/2"	1.90	FLSC-190xLength	.60	12	1.20	12	1.8	2	2.9	2
2"	2.38	FLSC-238xLength	1.00	10	2.00	12	3.0	2	4.1	2
2-1/2"	2.88	FLSC-288xLength	1.05	10	2.10	12	3.2	2	4.4	2
3"	3.50	FLSC-350xLength	1.30	10	2.60	6	3.9	1	4.8	1
3-1/2"	4.00	FLSC-400xLength	1.35	10	2.70	6	4.0	1	4.9	1
4"	4.50	FLSC-450xLength	1.40	10	2.80	6	4.2	1	5.2	1
5"	5.56	FLSC-556xLength	1.60	6	3.20	3	4.8	1	5.0	1
6"	6.00	FLSC-600xLength	1.72	6	3.45	2	5.2	1	5.1	1
	6.63	FLSC-663xLength	1.85	6	3.70	2	5.6	1	6.6	1
8"	8.00	FLSC-800xLength	2.00	3	4.00	2	6.0	1	7.7	1
	8.63	FLSC-863xLength	2.20	3	4.40	2	6.6	1	7.9	1

# Ford All Stainless Steel Wrap Clamps

Style FLSC Clamp with Full-Wrap Gasket



Ford Wrap Clamps offer the same Leak Repair features of the Snap Clamp with the extra assurance of 360° gasket coverage. Specific sizes are available for I.P.S. steel or copper. The All Stainless Steel Wrap Clamp offers the same conveniences and performance of the traditional Wrap Clamp with the added security of stainless steel lugs and bolts.

**To order:** Specify Catalog Number. Example: an FLSC-190-6R would be a 6" long clamp for 1-1/2" Standard Steel pipe.

**Shell:** 18-8 Type 304 Stainless Steel

**Lugs:** 18-8 Type 304 Stainless Steel

**Gasket:** Buna-N rubber with gridded armored gasket for 360° coverage

**Bolts:** 18-8 Type 304 Stainless Steel

NOM. PIPE SIZE	PIPE O.D.	3" LONG CLAMP (1 BOLT)			6" LONG CLAMP (2 BOLTS)		
		CATALOG NUMBER	APPROX. WT. LBS.	CTN. QTY.	CATALOG NUMBER	APPROX. WT. LBS.	CTN. QTY.
1/2"	0.625	FLSC-063-3R	.75	25	N/A	-	-
	0.84	FLSC-084-3R			FLSC-084-6R	-	-
3/4"	0.875	FLSC-088-3R	.78	25	FLSC-088-6R	1.56	12
	1.05	FLSC-105-3R			FLSC-105-6R		
1"	1.125	FLSC-113-3R	.85	20	FLSC-113-6R	1.58	10
	1.32	FLSC-132-3R			FLSC-132-6R		
1-1/4"	1.375	FLSC-138-3R	.92	18	FLSC-138-6R	1.87	12
	1.66	FLSC-166-3R			FLSC-166-6R		
1-1/2"	1.625	FLSC-163-3R	1.03	12	FLSC-163-6R	2.05	12
	1.90	FLSC-190-3R			FLSC-190-6R		
2"	2.125	FLSC-213-3R	1.50	10	FLSC-213-6R	3.00	12
	2.38	FLSC-238-3R			FLSC-238-6R		

**To order:** Specify Catalog Number. Example: an FLSC-190-6R would be a 6" long clamp for 1-1/2" Standard Steel pipe.

# Ford PVC Coupling Leak Clamps

## Style FCC

### For PVC Pipe Joined with Schedule 40 Solvent Weld Couplings

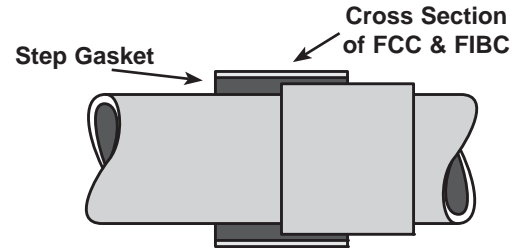
Leaking solvent weld joints on PVC pipe can be repaired by shutting down the water main and splicing in a new piece of pipe. This is time consuming, expensive, and requires making additional joints in your water system. Eliminate these problems by using the Ford Coupling Leak Clamp to repair leaking solvent welds on PVC pipe.

The Ford Style FCC Leak Clamp features 2 bolts and a step gasket with a butt sealing design that stops the leak between the coupling and the PVC pipe.



#### Specifications:

- Band:** 5 inch wide 18-8 Type 304 Stainless Steel
- Lugs:** Ductile Iron per ASTM A536  
Optional: E-Coated Lugs - add "-E3" to Catalog Number
- Gasket:** SBR as per ASTM D2000
- Bolts and Heavy Hex Nuts:** Low alloy per ASTM A242  
Optional: Blue Fluorocarbon Coated Nuts and Bolts - add "-BBN" to Catalog Number.  
Optional: 18-8 Type 304 Stainless Steel - add "-SH" to Catalog Number.



NOM. PIPE SIZE	PIPE O.D.	CATALOG NUMBER	LENGTH	APPROX. WT. LBS.
2"	2.38	FCC-238	5"	4
2-1/2"	2.88	FCC-288	5"	5
3"	3.50	FCC-350	5"	5
3-1/2"	4.00	FCC-400	5"	8
4"	4.50	FCC-450	5"	9
5"	5.56	FCC-556	5"	10
6"	6.63	FCC-663	5"	11
8"	8.63	FCC-863	5"	12

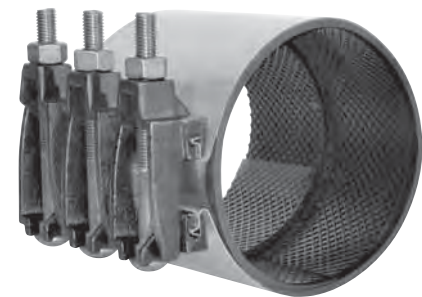
## Style FIBC

### For Class 160 and 200 Integral Bell Pipe Joined by Solvent Weld

The Ford Style FIBC Leak Clamp features 3 bolts and a step gasket with a tapered, overlapping seal that stops the leak between the integral bell and the PVC pipe.

#### Specifications:

- Band:** 7.5 inch wide 18-8 Type 304 Stainless Steel
- Lugs:** Ductile Iron per ASTM A536  
Optional: E-Coated Lugs - add "-E3" to Catalog Number
- Gasket:** SBR as per ASTM D2000
- Bolts and Heavy Hex Nuts:** Low alloy per ASTM A242.  
Optional: Blue Fluorocarbon Coated Nuts and Bolts - add "-BBN" to Catalog Number.  
Optional: 18-8 Type 304 Stainless Steel - add "-SH" to Catalog Number.

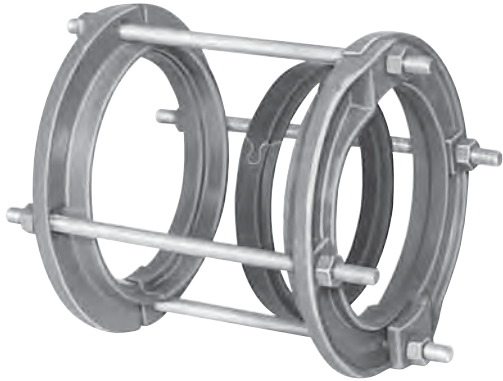


NOM. PIPE SIZE	PIPE O.D.	CATALOG NUMBER	LENGTH	APPROX. WT. LBS.
2"	2.38	FIBC-238	7.5"	4
2-1/2"	2.88	FIBC-288	7.5"	5
3"	3.50	FIBC-350	7.5"	5
3-1/2"	4.00	FIBC-400	7.5"	8
4"	4.50	FIBC-450	7.5"	9
5"	5.56	FIBC-556	7.5"	10
6"	6.63	FIBC-663	7.5"	11
8"	8.63	FIBC-863	7.5"	12

# Ford Bell Joint Leak Clamps

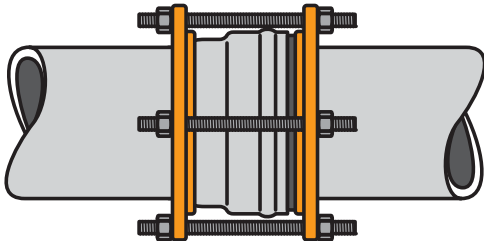
## Style FBC

### For Standard Steel Size PVC, Iron Pipe or \*C900 PVC



Ford Bell Joint Leak Clamps provide an easy and economical way of repairing leaking bell joints on PVC or iron pipe without recaulking or cutting out the joint. Two different listings of clamps are shown below, one for standard steel size PVC and the other for iron pipe or \*C900 PVC.

Ford Bell Joint Leak Clamps are easy to install. The clamp for cast iron pipe features an adjustable Buna-N gasket, field adaptable to fit either the older style pit cast or ductile iron pipe. This versatile gasket contains a removable "keyed" insert that eliminates cutting or gluing to fit the ductile iron pipe.



### Specifications:

- Body:** Ductile Iron ASTM A536
- Gasket:** SBR rubber or Buna-N rubber per ASTM D2000
- Bolts and Nuts:** Low alloy ASTM A242 and AWWA C111 or A307 Steel with Di-Chromate Seal  
Optional: Blue Fluorocarbon Coated Nuts and Bolts - add "-BBN" to Catalog Number.

## Ford Bell Joint Leak Clamps for Ductile Iron and Cast Iron Pipe (Buna-N Gasket)

NOM. PIPE SIZE	O.D. RANGE	CATALOG NUMBER	APPROX. WT. LBS.	NO. OF BOLTS	CAT. NO. FOR GASKET ONLY
4"	4.80-5.00	FBC-500*	16	4	GBC-500
6"	6.90-7.10	FBC-710*	19	4	GBC-710
8"	9.05-9.30	FBC-930*	21	4	GBC-930
10"	11.10-11.40	FBC-1140*	27	6	GBC-1140
12"	13.20-13.50	FBC-1350*	31	6	GBC-1350

\*For use on C900 PVC, add "-C900" to the end of the catalog number. Example: FBC-500-C900. This option will include longer bolts to accommodate a C900 PVC pipe bell. Note that the bolt thread length with this option is too short to accommodate an iron pipe bell.

## For PVC, Standard Steel Size SDR-26 and SDR-21 (SBR Gasket)

NOM. PIPE SIZE	O.D. RANGE	CATALOG NUMBER	APPROX. WT. LBS.	NO. OF BOLTS	CAT. NO. FOR GASKET ONLY
2"	2.38	FBC-238	5	2	GBC-238
2-1/2"	2.88	FBC-288	5	2	GBC-288
3"	3.50	FBC-350	5	2	GBC-350
4"	4.50	FBC-450	13	4	GBC-450
6"	6.63	FBC-663	14	4	GBC-663
8"	8.63	FBC-863	18	4	GBC-863
10"	10.75	FBC-1075	24	6	GBC-1075
12"	12.75	FBC-1275	28	6	GBC-1275

## Ford Bolt Extension Kit

The Ford Bell Joint Leak Clamp requires extra long bolts to repair Certainteed PVC pipe. Bolt Extension Kits are available and may be ordered from the table at right.

KIT CATALOG NUMBER	SIZE	QUANTITY PER KIT	FOR USE ON
BEK-1-4	1/2"	4	FBC-450 FBC-663 FBC-863
BEK-1-6	1/2"	6	FBC-1075 FBC-1275
BEK-2-4	5/8"	4	FBC-930
BEK-2-6	5/8"	6	FBC-1140 FBC-1350



# O.D. Chart

Pipe Size	PVC (Steel Size) O.D.	CAST IRON			ASBESTOS-CEMENT				STEEL		COPPER
		Classes		O.D.	Class	M.E. O.D.	R.B. Min.	O.D. Max.	Type	O.D.	O.D.
		Pit	Spun								
1/2"	.84								STD.	.84	.625
3/4"	1.05								STD.	1.05	.875
1"	1.32								STD.	1.32	1.125
1-1/4"	1.66								STD.	1.66	1.375
1-1/2"	1.90								STD.	1.90	1.625
2"	2.38			2.50					STD.	2.38	2.125
2-1/2"	2.88								STD.	2.88	2.625
3"	3.50	A B,C,D	50-350	3.80	100	3.74	4.00	O.D.	3.00	3.125	
				3.96	150	3.84	4.10	STD.	3.50		
					200	3.84	4.29				
3-1/2"								STD.	4.00	3.625	
4"	4.50	A B,C,D	50-350	4.80	100	4.64	4.79-5.14	O.D.	4.00	4.125	
				5.00	150	4.81	4.97-5.27	STD.	4.50		
					200	4.81	5.22-5.57				
4-1/2"								STD.	5.00		
5"								STD.	5.56	5.125	
6"	6.63	A B,C,D E,F	50-350	6.90	100	6.91	7.05-7.40	O.D.	6.00	6.125	
				7.10	150	6.91	7.07-7.37	STD.	6.63		
				7.22	200	6.91	7.26-7.56		7.63		
7"								STD.	7.63		
8"	8.63	A,B C,D E,F	50-300	9.05	100	9.11	9.22-9.57	O.D.	8.00		
			350	9.30	150	9.11	9.27-9.57	STD.	8.63		
				9.42	200	9.11	9.39-9.74		9.63		
9"								STD.	9.63		
10"	10.75	A,B C,D E,F	50-200	11.10	100	11.24	11.42-11.77	O.D.	10.00		
			250-350	11.40	150	11.66	11.82-12.12	STD.	10.75		
				11.60	200	11.66	11.77-12.12		12.00		
12"	12.75	A,B C,D E,F	50-200	13.20	100	13.44	13.69-14.04	O.D.	12.00		
			250-350	13.50	150	13.92	14.08-14.38	STD.	12.75		
				13.76	200	13.92	14.03-14.38		14.00		
14"		A,B C,D E,F	50-100	15.30	100	15.07	15.40-15.80	O.D.	14.00		
	150-300		15.65	150	16.22	16.38-16.73	STD.				
			15.98	200	16.22	16.48-16.88					
16"		A,B C,D E,F	50-100	17.40	100	17.14	17.54-17.94	O.D.	16.00		
	150-300		17.80	150	18.46	18.62-18.97	STD.				
			18.16	200	18.46	18.79-19.19					
18"		A,B C,D	50-100	19.50	100	19.90	20.44	STD.	18.00		
	150-250		19.92	150	20.94	21.20					
20"		A,B C,D	50-100	21.60	100	22.12	22.50	STD.	20.00		
	150-250		22.06	150	23.28	23.54					
22"								STD.	22.00		
24"		A,B C,D	50-100	25.80	100	26.48	27.17	STD.	24.00		
	150-250		26.32	150	27.96	28.22					

**Note:** Due to variations in outside diameters and specifications, dimensions listed above are approximate. For this reason, determine the pipe O.D. before ordering Ford Pipe Repair Products.

# Section L

# Ford Pipe Repair Products

## Warranty

All merchandise is warranted to be free from defects in material and factory workmanship. We will provide, free of charge, new products in equal quantities for any that prove defective within one year from date of shipment from our factory. Manufacturer shall not be liable for any loss, damage, or injury, direct or consequential, arising out of the use of or the inability to use the product. Before using, user shall determine the suitability of the product for his intended use and user assumes all risk and liability whatever in connection therewith. No claims for labor or consequential damage will be allowed. The foregoing may not be changed except by agreement signed by an officer of the manufacturer.

### **Please Note:**

Consult the Ford Meter Box Company, Inc. website ([www.fordmeterbox.com](http://www.fordmeterbox.com)) for the most recent catalog information. The Ford Meter Box Company considers the information in this catalog to be correct at the time of publication. Items and option availability, including specifications, are subject to change without notice. Please verify that your product information is current.