

# COUPLINGS

## Part Number Chart

**Fits All Of These Drain Pipe Materials.**

Cast Iron Soil Pipe

- Extra Heavy (XH)
- Service Weight (SV)
- No Hub (NH)

**Steel Pipe, Schedule 40**


Copper Pipe, Lead Pipe, Plastic Pipe

- ABS/PVC, DWV (Schedule 40)
- ABS/PVC, Schedule 30 (Thin Wall)
- ABS/PVC, STYRENE, Sewer & Drain ASTM 2729
- PVC Sewer & Drain ASTM 3034 & SDR 35
- PVC Sewer & Drain ASTM 3033 & SDR 41

Adapt To These Outside Pipe Diameters

Material	Outside Pipe Diameter				
	1-1/4" (32mm)	1-1/2" (38mm)	2" (50mm)	3" (76mm)	4" (101mm)
Cast Iron					
Extra Heavy	—	—	2.38	3.50	4.50
Service Weight	—	—	2.30	3.30	4.30
No Hub	—	1.90	2.31	3.31	4.38
Plastic, ABS/PVC, (DWV Schedule 40)	1.660	1.900	2.375	3.500	4.500
Plastic, Sewer & Drain	—	—	—	3.250	4.215
Copper	1.375	1.625	2.125	3.125	4.125
Steel	1.660	1.900	2.375	3.500	4.500
Lead	1.528	1.830	2.354	3.250	4.250

Pipe Size	Clay To Clay	Clay To Cast Iron Or Plastic	Clay To Asbestos Cement Fibre Or Ductile Iron	Concrete To Concrete	Concrete To Cast Iron Or Plastic	Asbestos Cement Fibre Or Ductile Iron To Cast Iron Or Plastic	Asbestos Cement Fibre Or Ductile Iron To Asbestos Cement Fibre Or Ductile Iron
4 x 3 (101x76mm)		1002-43			1006-43	*1051-43	
4 x 4 (101x101mm)	1001-44	1002-44	1003-44	1004-44	1006-44	1051-44	1055-44
5 x 4 (127x101mm)	1001-54	1002-54	*1003-54			1051-54	*1055-54
5 x 5 (127x127mm)	1001-55	1002-55	1003-55			1051-55	1055-55
6 x 4 (152x101mm)	1001-64	1002-64 1002-46	*1003-64	*1004-64	1006-64	1051-64	1055-64
6 x 5 (152x127mm)	1001-65	1002-65	*1003-65		*1006-65	1051-65	1055-65
6 x 6 (152x152mm)	1001-66	1002-66	1003-66	1004-66	1006-66	1051-66	1055-66
8 x 5 (203x127mm)			*1003-85				
8 x 6 (203x127mm)	1001-86	1002-86	*1003-86	*1004-86	*1006-86	*1051-86	*1055-86
8 x 8 (230x203mm)	1001-88	1002-88	1003-88	1004-88	1006-88	1051-88	1055-88
10 x 8 (254x203mm)	*1001-10-8	*1002-10-8	*1003-10-8	*1004-10-8	*1006-10-8	*1051-10-8	*1055-10-8
10 x 10 (254x254mm)	1001-1010	1002-1010	*1003-1010	1004-10-10	1006-1010	1051-1010	1055-1010
12 x 10 (304x254mm)	*1001-1210	*1002-1210	*1003-1210	1004-1210	*1006-1210	*1051-1210	*1055-1210
12 x 12 (304x304mm)	1001-1212	1002-1212	1003-1212	1004-1212	1006-1212	1051-1212	1055-1212
15 x 12 (381x304mm)	*1001-1512	*1002-1512	*1003-1512				
15 x 15 (381x381mm)	1001-1515	1002-1515		1004-1515	1006-1515		
16 x 15 (406x381mm)			1003-1516			1051-1615	*1055-1615
18 x 18 (457x457mm)	1001-1818	1002-1818	*1003-1818	1004-1818	*1006-1818	1051-1818	*1055-1818
21 x 21 (533x533mm)	1001-2121	*1002-2121		1004-2121	*1006-2121		
24 x 24 (609x609mm)	1001-2424	*1002-2424		1004-2424	*1006-2424		
27 x 27 (685x685mm)	1001-2727	*1002-2727		1004-2727	*1006-2727		

**Pipe Size**   
 Cast Iron, Plastic, Copper, Steel or Lead to Cast Iron, Plastic, Copper, Steel or Lead

1056-125	1-1/4 X 1-1/4 (32 x 32mm)
1056-150/125	1-1/2 X 1-1/4 (38x32mm)
1056-150	1-1/2 X 1-1/2 (38x38mm)
1056-215	2 x 1-1/2 (50x38mm)
1056-22	2 x 2 (50x50mm)
1056-315	3 x 1-1/2 (76x38mm)
1056-32	3 x 2 (76x50mm)
1056-33	3 x 3 (76x76mm)
1056-415	4 x 1-1/2 (101x38mm)
1056-42	4 x 2 (101x50mm)
1056-43	4 x 3 (101x76mm)
1056-44	4 x 4 (101x101mm)
*1056-53	5 x 3 (127x76)
1056-54	5 x 4 (127x101mm)
1056-55	5 x 5 (127x127mm)
*1056-63	6 x 3 (152x76mm)
1056-64	6 x 4 (152x101mm)
1056-65	6 x 5 (152x127mm)
1056-66	6 x 6 (152x152mm)
*1056-84	8 x 4 (203x101mm)
1056-86	8 x 6 (203x152mm)
1056-88	8 x 8 (203x203mm)
1056-10-8	10 x 8 (254x203)
1056-1010	10 x 10 (254x254mm)
1056-1210	12 x 10 (304x254mm)
1056-1212	12 x 12 (304x304mm)
1056-1512	15 x 12 (381x304mm)
1056-1515	15 x 15 (381x381mm)
*1056-1815	18 x 15 (457x381mm)
1056-1818	18 x 18 (457x457mm)
1056-2121	21 x 21 (533x533mm)
1056-2424	24 x 24 (609x609mm)
1056-2727	27 x 27 (685x685mm)

Other size & material combinations available upon request.

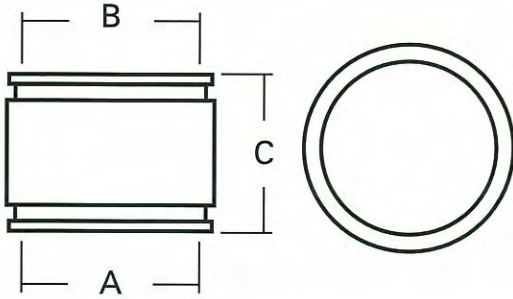
\*Supplied with reducer. For connections with hub, bell or sockets, see donuts on pages 15-16.

# FERNCO COUPLING SIZING CHART

*All dimensions given in inches and mm.*

*300 series stainless steel clamps supplied with all couplings.*

*\*Supplied with reducer.*



**Clay to Clay**  
SERIES 1001 designed for clay to clay.

Part No.	A		B		C	
	in.	mm	in.	mm	in.	mm
1001-44	5.25	133	5.25	133	4.00	101
1001-54	6.12	155	5.25	133	6.00	152
1001-55	6.12	155	6.12	155	5.00	127
1001-64	7.38	187	5.38	133	6.00	152
1001-65	7.38	187	6.38	155	6.00	152
1001-66	7.38	191	7.38	191	6.00	152
1001-86	9.65	245	7.38	187	6.00	152
1001-88	9.65	245	9.65	245	6.00	152
*1001-10-8	12.73	323	9.65	245	6.00	152
1001-1010	12.73	323	12.73	323	6.00	152
*1001-1210	14.38	365	12.73	323	6.00	152
1001-1212	14.38	365	14.38	365	6.00	152
*1001-1512	17.85	453	14.38	365	7.00	177
1001-1515	17.85	453	17.85	453	10.00	254
1001-1818	21.70	551	21.70	551	10.00	254
1001-2121	25.50	648	25.50	648	10.00	254
1001-2424	29.00	737	29.00	737	10.00	254
1001-2727	32.50	826	32.50	826	10.00	254

**Clay to Cast Iron or Plastic**  
SERIES 1002 designed for clay to cast iron or plastic.

Part No.	A		B		C	
	in.	mm	in.	mm	in.	mm
1002-43	5.25	133	3.38	85	4.00	101
1002-44	5.25	133	4.38	111	4.00	101
1002-46	5.25	133	6.38	162	6.00	152
1002-54	6.12	155	4.38	111	6.00	152
1002-55	6.12	155	5.38	136	5.00	127
1002-64	7.38	187	4.38	111	6.00	152
1002-65	7.38	187	5.38	136	6.00	152
1002-66	7.38	187	6.38	162	6.00	152
1002-86	9.65	245	6.38	162	6.00	152
1002-88	9.65	245	8.50	215	6.00	152
*1002-10-8	12.73	323	8.50	215	6.00	152
1002-1010	12.73	323	10.60	269	6.00	152
*1002-1210	14.38	365	10.60	269	6.00	152
1002-1212	14.38	365	12.60	320	6.00	152
*1002-1512	17.85	453	12.60	320	7.00	177
1002-1515	17.85	453	15.40	391	7.00	177
1002-1818	22.00	559	19.00	483	10.00	254
*1002-2121	25.50	648	22.30	566	10.00	254
*1002-2424	29.00	737	25.00	635	10.00	254
*1002-2727	32.50	826	28.20	716	10.00	254

**Clay to Asbestos Cement Fibre or Ductile Iron**  
SERIES 1003 designed for clay to asbestos cement fibre or ductile iron.

Part No.	A		B		C	
	in.	mm	in.	mm	in.	mm
1003-44	4.87	124	4.70	119	4.00	101
*1003-54	6.12	155	4.75	120	5.00	127
1003-55	6.12	155	5.90	149	5.00	127
*1003-64	7.38	187	4.75	120	6.00	152
*1003-65	7.38	187	5.90	149	6.00	152
1003-66	7.38	187	7.00	177	6.00	152
*1003-85	9.65	245	5.90	149	6.00	152
*1003-86	9.65	245	7.00	177	6.00	152
1003-88	9.65	245	9.12	231	6.00	152
*1003-10-8	12.73	323	9.12	231	6.00	152
*1003 1010	12.73	323	11.12	282	6.00	152
*1003-1210	14.38	365	11.12	282	6.00	152
1003-1212	14.38	365	13.20	335	6.00	152
*1003-1512	17.85	453	13.20	335	10.00	254
1003-1516	18.25	464	17.80	452	10.00	254
*1003-1818	21.70	551	19.50	495	10.00	254

**Concrete to Concrete**  
SERIES 1004 designed for concrete to concrete.

Part No.	A		B		C	
	in.	mm	in.	mm	in.	mm
1004-44	5.62	142	5.62	142	4.00	101
*1004-64	7.80	198	5.62	142	6.00	152
1004-66	7.64	193	7.64	193	6.00	152
*1004-86	10.25	260	7.80	198	6.00	152
1004-88	10.25	260	10.25	260	6.00	152
1004-99	Use part number 1001-1010					
*1004-10-8	12.73	323	10.25	260	6.00	152
1004-1010	12.73	323	12.73	323	6.00	152
1004-1210	15.40	391	12.73	323	6.00	152
1004-1212	15.40	391	15.40	391	6.00	152
1004-1515	19.75	502	19.75	502	10.00	254
1004-1818	22.50	571	22.50	571	10.00	254
1004-2121	26.50	673	26.50	673	10.00	254
1004-2424	30.50	775	30.50	775	10.00	254
1004-2727	34.00	864	34.00	864	10.00	254

**Concrete to Cast Iron or Plastic**  
SERIES 1006 designed for concrete to cast iron or plastic.

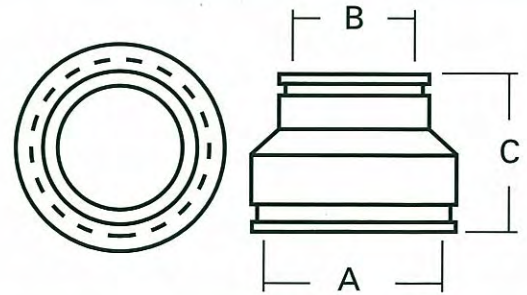
Part No.	A		B		C	
	in.	mm	in.	mm	in.	mm
1006-43	5.62	142	3.38	85	4.00	101
1006-44	5.62	142	4.38	111	4.00	101
1006-64	7.80	198	4.38	111	6.00	152
*1006-65	7.80	198	5.38	136	6.00	152
1006-66	7.80	198	6.38	162	6.00	152
*1006-86	10.25	260	6.38	162	6.00	152
1006-88	10.25	260	8.50	215	6.00	152
*1006-10-8	12.73	323	8.50	215	6.00	152
1006-1010	12.60	320	10.60	269	6.00	152
*1006-1210	16.00	391	10.60	269	6.00	152
1006-1212	16.40	416	12.50	318	6.00	152
1006-1515	19.75	502	15.50	388	10.00	254
*1006-1818	22.50	571	18.90	480	10.00	254
*1006-2121	26.50	673	22.30	566	10.00	254
*1006-2424	30.50	775	25.00	635	10.00	254
*1006-2727	34.00	864	28.20	716	10.00	254

# FERNCO FLEXIBLE COUPLINGS

*connect pipe sizes 1-1/4" to 27"*

\*Supplied with reducer.

For sizes over 27", see Large Diameter Couplings, Page 12.



**Asbestos Cement Fibre or Ductile Iron to Cast Iron or Plastic**

SERIES 1051 designed for asbestos cement fibre or ductile iron to cast iron or plastic.

Part No.	A		B		C	
	in.	mm	in.	mm	in.	mm
*1051-43	4.75	120	3.38	85	4.00	101
1051-44	4.87	120	4.50	111	4.00	101
1051-54	5.90	149	4.38	111	4.00	101
1051-55	5.90	149	5.38	136	5.00	127
1051-64	7.00	177	4.38	111	6.00	152
1051-65	7.00	177	5.38	136	6.00	152
1051-66	7.00	177	6.38	162	6.00	152
*1051-86	9.12	231	6.38	162	6.00	152
1051-88	9.12	231	8.50	215	6.00	152
*1051-10-8	11.12	282	8.50	215	6.00	152
1051-1010	11.12	282	10.60	269	6.00	152
*1051-1210	13.20	335	10.60	269	6.00	152
1051-1212	13.20	335	12.60	320	6.00	152
1051-1615	17.85	453	15.40	391	7.00	177
1051-1818	19.50	495	18.90	480	10.00	254

**Cast Iron, Plastic, Copper, Steel or Lead to Cast Iron, Plastic, Copper, Steel or Lead**

SERIES 1056 designed for cast iron or plastic to cast iron or plastic.

Part No.	A		B		C	
	in.	mm	in.	mm	in.	mm
1056-125	1.65	40	1.65	40	3.50	88
1056-150/125	1.90	48	1.65	40	3.50	88
1056-150	1.90	48	1.90	48	3.50	88
1056-215	2.40	60	1.90	48	3.50	88
1056-22	2.40	60	2.40	60	3.50	88
1056-315	3.38	85	1.90	48	4.00	101
1056-32	3.38	85	2.40	60	4.00	101
1056-33	3.38	85	3.38	85	4.00	101
1056-415	4.38	111	1.90	48	4.00	101
1056-42	4.38	111	2.40	60	4.00	101
1056-43	4.38	111	3.38	85	4.00	101
1056-44	4.42	112	4.42	112	4.00	101
*1056-53	5.62	142	3.38	85	4.00	101
1056-54	5.62	142	4.38	111	4.00	101
1056-55	5.62	142	5.62	142	4.00	101
*1056-63	6.38	162	3.38	85	6.00	152
1056-64	6.38	162	4.38	111	6.00	152
1056-65	6.50	165	5.50	140	6.00	152
1056-66	6.38	162	6.38	162	6.00	152
*1056-84	8.50	215	4.38	111	6.00	152
1056-86	8.50	215	6.38	162	6.00	152
1056-88	8.50	215	8.50	215	6.00	152
1056-10-8	10.60	269	8.50	215	6.00	152
1056-1010	10.60	269	10.60	269	6.00	152
1056-1210	12.60	320	10.60	269	6.00	152
1056-1212	12.83	326	12.83	326	6.00	152
1056-1512	16.00	391	12.60	320	6.00	152
1056-1515	15.40	391	15.40	391	10.00	254
*1056-1815	18.90	480	15.30	404	10.00	254
1056-1818	18.90	480	18.90	480	10.00	254
1056-2121	22.30	566	22.30	566	10.00	254
1056-2424	25.00	635	25.00	635	10.00	254
1056-2727	28.20	716	28.20	716	10.00	254

**Asbestos Cement Fibre or Ductile Iron to Asbestos Cement Fibre or Ductile Iron**

SERIES 1055 designed for asbestos cement fibre or ductile iron to asbestos cement fibre or ductile iron.

Part No.	A		B		C	
	in.	mm	in.	mm	in.	mm
1055-44	4.75	120	4.75	120	4.00	101
*1055-54	5.90	149	4.75	120	5.00	127
1055-55	5.90	149	5.90	149	5.00	127
1055-64	7.00	177	4.75	120	6.00	152
1055-65	7.00	177	5.90	149	6.00	152
1055-66	7.10	180	7.10	180	6.00	152
*1055-86	9.12	231	7.00	177	6.00	152
1055-88	9.12	231	9.12	231	6.00	152
*1055-10-8	11.12	282	9.12	231	6.00	152
1055-1010	11.12	282	11.12	282	6.00	152
*1055-1210	13.20	335	11.12	282	6.00	152
1055-1212	13.20	335	13.20	335	6.00	152
*1055-1615	17.80	452	16.50	419	10.00	254
*1055-1818	19.50	495	19.50	495	10.00	254

**SIZING CHART 1059 Socket to Pipe**

Part No.	A		B		C	
	in.	mm	in.	mm	in.	mm
1059-150	2.25	57	1.93	49	4.00	101
1059-22	2.75	70	2.43	62	4.00	101
1059-33	3.95	100	3.51	89	4.00	101
1059-44	4.99	127	4.51	115	4.00	101

**SIZING CHART 1060 Socket to Socket**

Part No.	A		B		C	
	in.	mm	in.	mm	in.	mm
1060-150	2.25	57	2.25	57	4.00	101
1060-22	2.75	70	2.75	70	4.00	101
1060-33	3.95	100	3.95	100	4.00	101
1060-44	4.99	127	4.99	127	4.00	101



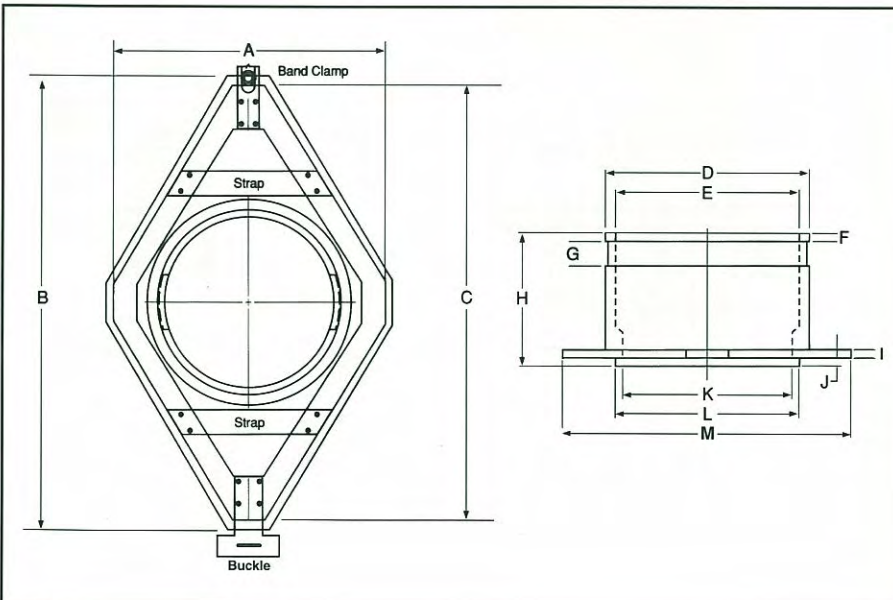
# EZ TAP SEWER SADDLES

for sewer hook-ups.



Specifications	EZ Tap 4 And EZ Tap 6
Frame Work	16 Gage 304 SS
Buckle	18 Gage 304 SS
Band	
Clamp Strap	22 Gage 304 SS
PVC Saddle	60-65 Duro 5/16 Saddle Thickness
Hose Clamp Saddle	All 300 Series Stainless Steel
	Ez Tap 4 fits all pipe material from 6" O.D. to 15.5" O.D. (E.Z. Tap 6 fits all 8" O.D. to 16.5" O.D. pipe material)
Coupling End	EZ Tap 4 fits all 4" SCH 40 PVC, SDR PVC, CI Service Weight, Hubless, Extra Heavy (EZ Tap 6 fits all 6")
Leak Test	Deflection tested at 5' at 4.3 PSI to be leak free
EZS-20 Strap	1 EZS-20 strap will accommodate an additional 6" to the diameter

	EZ Tap 4	Ez Tap 6
A	7.40"	9.92"
B	11.00"	16.38"
C	10.77"	15.75"
D	5.10"	7.37"
E	4.35"	6.63"
F	0.23"	0.25"
G	0.64"	0.64"
H	3.73"	4.87"
I	0.29"	0.31"
J	0.31"	0.31"
K	4.00"	6.31"
L	4.38"	6.50"
M	7.75"	10.37"



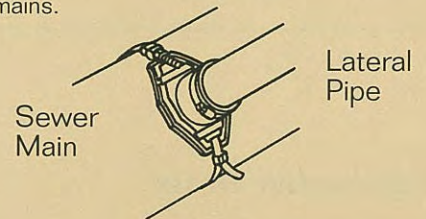
## EZ Tap Sewer Saddle

Is a faster and less costly way for contractors and municipalities to make sewer main connections.

This new Fernco design uses a single band with a single draw point for a quick take-up system that speeds installation and reduces labor cost.

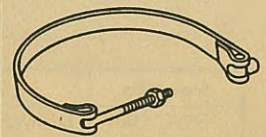
EZ Tap is built to last, too. Its band and frame work are made from durable 304 stainless steel. The saddle itself is manufactured from specially formulated elastomeric PVC that's highly resistant to caustic chemicals, bacteria and fungi to maintain a positive seal. In fact, the EZ Tap Sewer Saddle has been tested to 4.3 pounds of pressure with no leaking at all.

**Applications:** EZ Tap is available in two sizes: EZ Tap 4 is used to connect 4-inch (101.6mm) lateral pipes to 6-inch (152.4mm) and larger sewer mains. EZ Tap 6 connects 6-inch (152.4mm) lateral pipes to 8-inch (203.2mm) and larger sewer mains.



By using additional lengths of Fernco's EZS-20 sewer saddle strap extenders, EZ Tap can fit any size of clay, concrete, AC/DI or CI/PL sewer mains.

Part Number
EZ Tap 4
EZ Tap 6
EZS-20



## Features

- Single band with single draw point for quick installation.
- Saddle resistant to caustic chemicals, bacteria and fungi.
- EZS-20 Strap extenders allow hook-up to any size pipe.
- 1 EZS-20 strap will accommodate an additional 6" to the diameter.