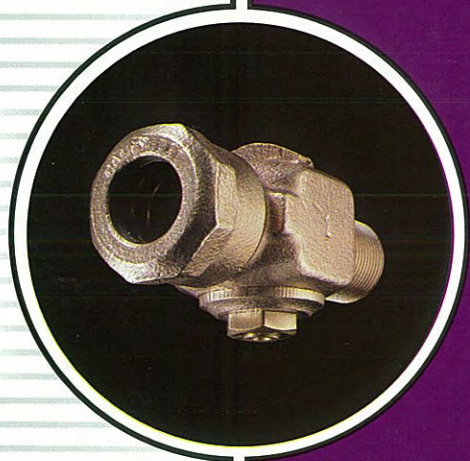


# Corporation Main Stops



**CAMBRIDGE  
BRASS™**  
A MASCO COMPANY

*BY CAMBRIDGE BRASS*  
**Hayes**

# CONTENTS

<b>PRODUCT INFORMATION</b>	3
<b>CAMBRIDGE CONNECTIONS</b>	4-6
<b>PRODUCT &amp; PART NUMBERS</b>	
Plug Style	7-10
Ball Style	10-13
<b>ACCESSORIES</b>	14
<b>WARRANTY</b>	15



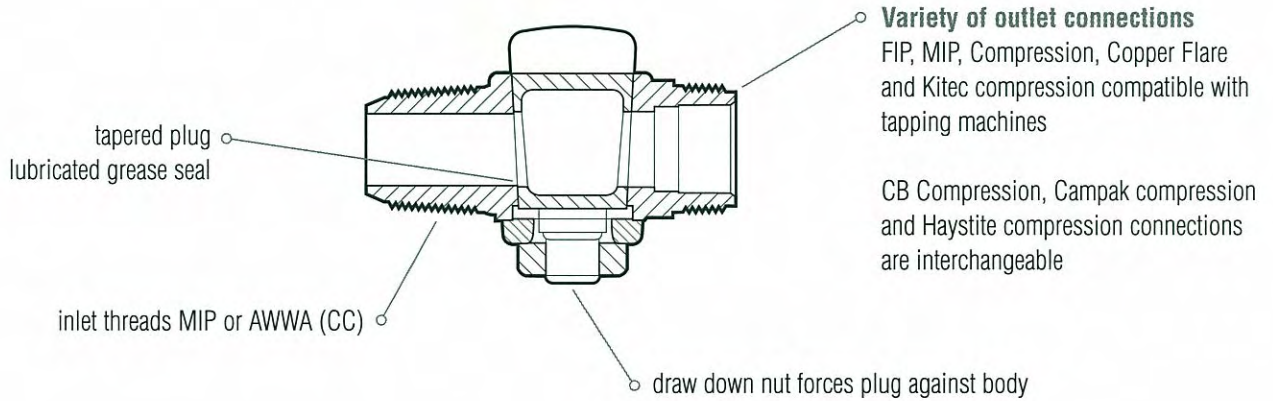
## PRODUCT INFORMATION

all waterworks brass conforms to AWWA standard C-800

### PLUG VALVES VALVE WORKING PRESSURE – 100 PSI for 1/2", 3/4" & 1" – 80 PSI for 1 1/4", 1 1/2" & 2"

#### Thick wall cast brass body

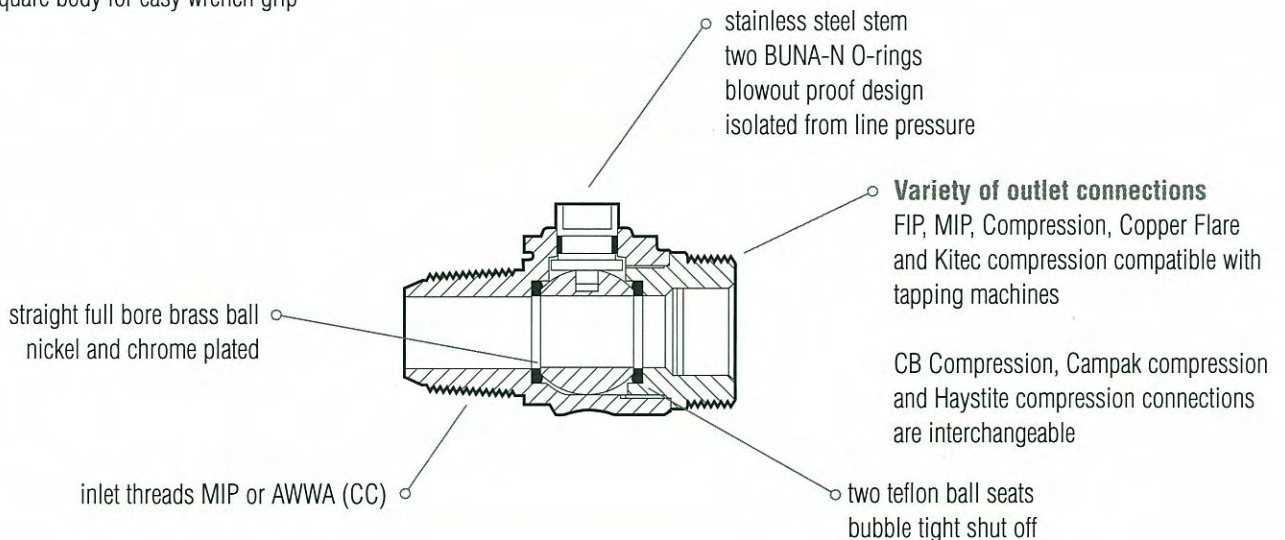
- one piece cast brass body
- square body for easy wrench grip



### BALL VALVES VALVE WORKING PRESSURE TO 300 PSI

#### Thick wall cast brass body

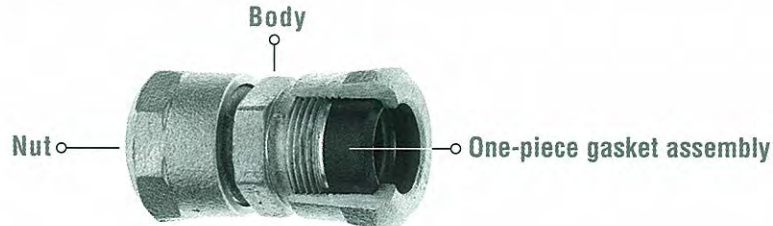
- heavy wall body to prevent distortion
- square body for easy wrench grip



## CAMBRIDGE CONNECTIONS

All waterworks brass conforms to AWWA standard C-800

**CB Compression nut assembly is interchangeable with Campak and Haystite compression nut assemblies for copper or plastic (CTS) service tube.**



### Nut

- cast brass alloy C-844
- heavy cross section designed to withstand the most strenuous applications
- nut is machined to bottom out on (casting) body shoulder to ensure proper connection
- insert stiffeners required on all sizes of plastic service tube

### Body

- cast brass alloy C-836

### One-piece gasket assembly

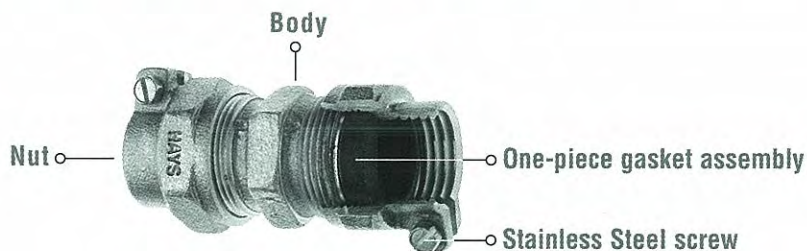
- type 304 stainless steel gripper ring embedded into a Nitrile rubber gasket. A copper conductivity spring is molded into the gasket
- gasket assembly is fitted snug into nut at factory so it will not fall out during removal of nut assembly
- lubricated to prevent distortion while tightening nut



### Multi-purpose Adaptor

- machined brass alloy C-836
- 3/4" and 1" sizes only
- converts to Copper Flare connection (Copper Flare nut required)

**Campak compression nut assembly is interchangeable with CB Compression and Haystite compression nut assemblies for copper or plastic (CTS) service tube.**



### Nut

- cast brass alloy C-844
- machines internal buttress thread on inlet to provide pull-out restraint when screw is tightened
- tighten nut sufficiently to achieve hydrostatic seal on gasket. Nut does not bottom out.
- insert stiffeners required on all sizes of plastic service tube

### Body

- cast brass alloy C-836

### One-piece gasket assembly

- one piece Nitrile gasket, dual-beveled for reversibility
- lubricated to prevent distortion while tightening nut

### Stainless Steel screw

- type 304 Stainless Steel screw to maintain pull-out strength. Nut does not bottom out.



### Multi-purpose Adaptor

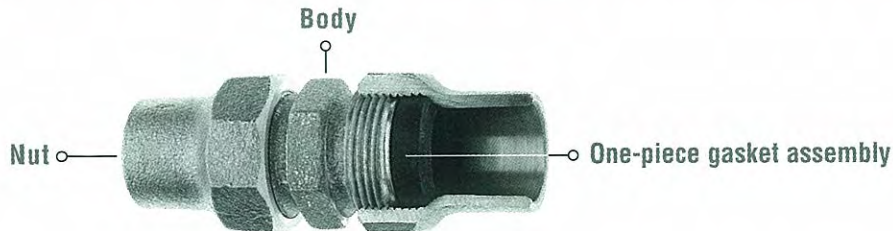
- machined brass alloy C-836
- 3/4" and 1" sizes only
- converts to Copper Flare connection (existing nut can be used)



## CAMBRIDGE CONNECTIONS

All waterworks brass conforms to AWWA standard C-800

**Haystite compression nut assembly is interchangeable with CB Compression and Campak compression nut assemblies for copper or plastic (CTS) service tube. Available in 3/4" and 1" sizes only.**



### Nut

- cast brass alloy C-844
- tighten nut sufficiently to achieve hydrostatic seal on gasket. Nut does not bottom out.
- long throat for extra support on service tube
- insert stiffeners required on all sizes of plastic service tube

### Body

- cast brass alloy C-836

### One-piece gasket assembly

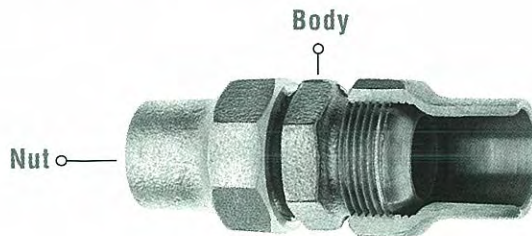
- Nitrile gritted gasket, dual-beveled for reversibility



### Multi-purpose Adaptor

- machined brass alloy C-836
- 3/4" and 1" sizes only
- converts copper tube size compression to Copper Flare (use existing nut)

**Copper Flare is for use with copper service tube.**



### Nut

- cast brass alloy C-844
- provides metal seal to flared copper service tube against matching bull-nosed body machining
- long throat for extra support on service tube

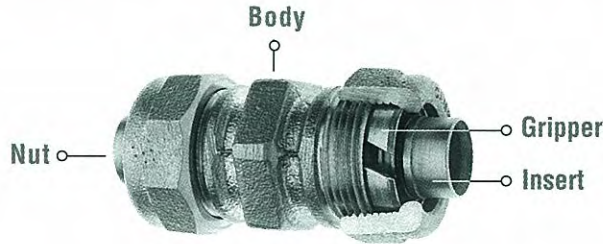
### Body

- cast brass alloy C-836

# CAMBRIDGE CONNECTIONS

All waterworks brass conforms to AWWA standard C-800

**Kitec compression nut assembly is designed specifically for use with Kitec service tube. Kitec compression is not interchangeable with any other compression. Available in 3/4" and 1" sizes only.**



### Nut

- cast brass alloy C-844
- nut is machined to bottom out on (casting) body shoulder to ensure proper connection

### Body

- cast brass alloy C-836

### Gripper

- machined brass C-260 alloy
- serrated split ring design for pull-out restraint

### Insert

- machined brass C-360 Alloy
- double O-ring for hydrostatic seal
- isolation washer between insert and Kitec service tube
- insert is factory assembled for ease of installation in the field

## KITEC SERVICE TUBING

### Blue Kitec® Water Service Tubing

3/4" (20mm) and 1" (25mm)

### Excellent Resistance

Kitec's aluminum layer prevents permeation by fuel, solvents or other contaminants that may be present.\*

\*See IPEX Chemical Resistance Guide for more specific data.

### Higher Flow Rates

- a Hazen-Williams flow factor of C=150, combined with a larger inside diameter.

### Comparison of Inside Diameters

	3/4"	1"
KITEC	.79	.98
Copper	.75	.99
Pex	.69	.86

### Low Expansion and Contraction

Similar To Copper – 100 feet of Kitec with a 10°F rise in temperature = 0.156 inches of expansion.

### Unique advantages

- No long-term calcium build-up.
- Certified for potable water - NSF 61 & CSA.
- Easy-to-use fittings made from waterworks brass, conforming to AWWA C-800.
- Lightweight, easy to handle in long coil lengths, less waste.
- Kitec requires no special bedding. As with any material, normal precaution such as removal of large rocks is advisable.

### Pressure Capabilities

PEX-AL-PEX (Canada)

200 psi @ 73°F (23°C)

125 psi @ 180°F (82°C)

PE-AL-PE (USA)

200 psi @ 73°F (23°C)

150 psi @ 140°F (60°C)

### Dimensions in inches

Nominal Size	Average I.D.	Average O.D.	Min.Wall Thickness	Weight lbs./100 ft	Volume U.S. gal.ft	Min Bending Radius
3/4	.79	.98	.10	13.7	.025	5.0
1	.98	1.26	.14	23.0	.040	6.3

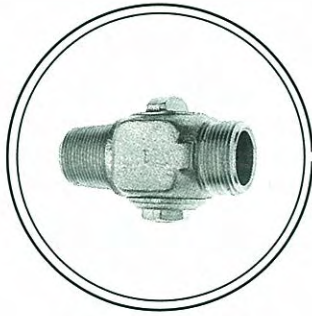
### Dimensions in mm

Nominal Size	Average I.D.	Average O.D.	Min.Wall Thickness	Weight g/m	Volume l/m	Min Bending Radius
20	20	25	2.5	203	.314	125
25	25	32	3.5	341	.500	160

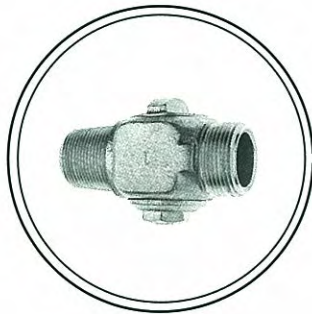


## CORPORATION MAIN STOPS

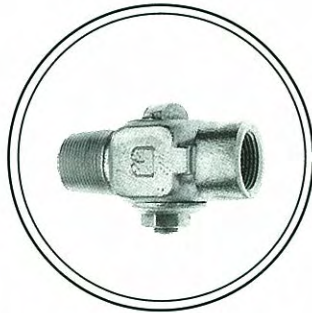
All valves are pressure tested in the open and closed position



	PART number	INLET size	OUTLET size
PLUG STYLE AWWA x MIP	302-A3M3	3/4"	3/4"
	302-A4M4	1"	1"



	PART number	INLET size	OUTLET size
PLUG STYLE MIP x MIP	302-M3M3	3/4"	3/4"
	302-M4M4	1"	1"



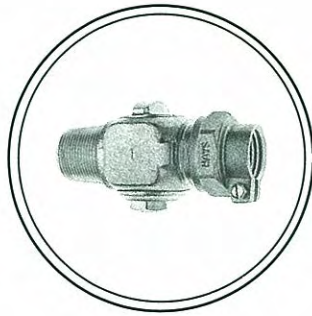
	PART number	INLET size	OUTLET size
PLUG STYLE AWWA x FIP	302-A1F1	1/2"	1/2"
	302-A3F3	3/4"	3/4"
	302-A4F4	1"	1"



	PART number	INLET size	OUTLET size
PLUG STYLE AWWA x CB Compression	302-A3H3	3/4"	3/4"
	302-A4H4	1"	1"

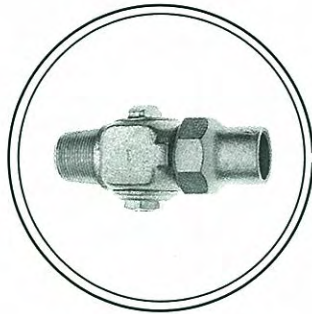
## CORPORATION MAIN STOPS

All valves are pressure tested in the open and closed position



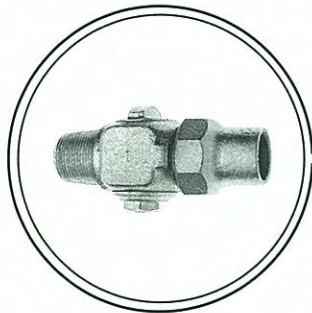
**PLUG STYLE  
AWWA x Campak**

PART number	INLET size	OUTLET size
302-A3B3	3/4"	3/4"
302-A4B4	1"	1"



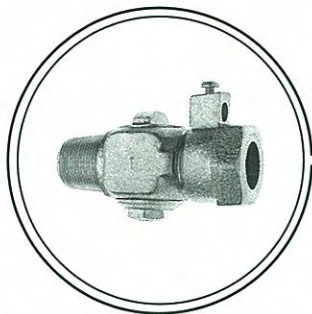
**PLUG STYLE  
AWWA x Haystite**

PART number	INLET size	OUTLET size
302-A3J3	3/4"	3/4"
302-A4J4	1"	1"



**PLUG STYLE  
AWWA x Copper Flare**

PART number	INLET size	OUTLET size
302-A1C1	1/2"	1/2"
302-A2C2	5/8"	5/8"
302-A3C3	3/4"	3/4"
302-A4C4	1"	1"



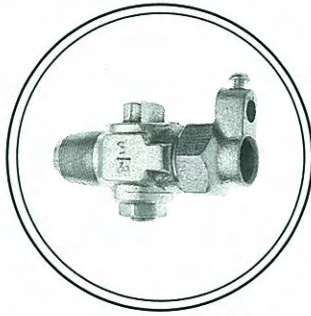
**PLUG STYLE  
AWWA x CB Comp. EL**

PART number	INLET size	OUTLET size
302-A3HE3	3/4"	3/4"
302-A4HE4	1"	1"



## CORPORATION MAIN STOPS

All valves are pressure tested in the open and closed position



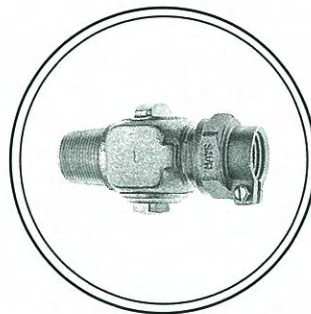
	<b>PART number</b>	<b>INLET size</b>	<b>OUTLET size</b>
<b>PLUG STYLE AWWA x Copper Flare EL</b>	302-A3CE3	3/4"	3/4"



	<b>PART number</b>	<b>INLET size</b>	<b>OUTLET size</b>
<b>PLUG STYLE AWWA x Kitec</b>	302-A3K3 302-A4K4	3/4" 1"	3/4" 1"



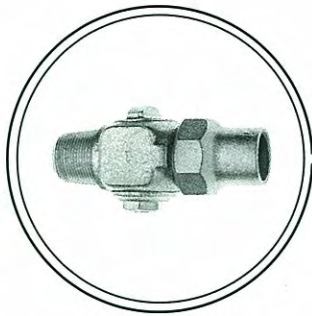
	<b>PART number</b>	<b>INLET size</b>	<b>OUTLET size</b>
<b>PLUG STYLE MIP x CB Compression</b>	302-M3H3 302-M4H4	3/4" 1"	3/4" 1"



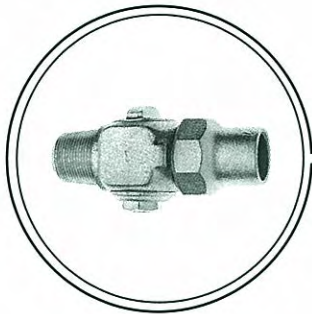
	<b>PART number</b>	<b>INLET size</b>	<b>OUTLET size</b>
<b>PLUG STYLE MIP x Campak</b>	302-M3B3 302-M4B4	3/4" 1"	3/4" 1"

## CORPORATION MAIN STOPS

All valves are pressure tested in the open and closed position



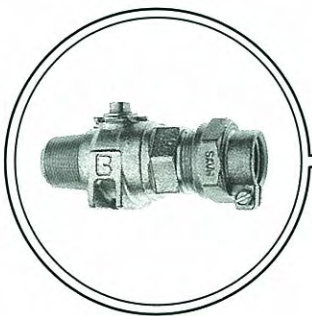
	PART number	INLET size	OUTLET size
<b>PLUG STYLE MIP x Haystite</b>	302-M3J3	3/4"	3/4"
	302-M4J4	1"	1"



	PART number	INLET size	OUTLET size
<b>PLUG STYLE MIP x Copper Flare</b>	302-M1C1	1/2"	1/2"
	302-M2C2	5/8"	5/8"
	302-M3C3	3/4"	3/4"
	302-M4C4	1"	1"



	PART number	INLET size	OUTLET size
<b>BALL STYLE AWWA x CB Compression</b>	301-A3H3	3/4"	3/4"
	301-A3H4	3/4"	1"
	301-A4H4	1"	1"
	301-A5H5	1 1/4"	1 1/4"
	301-A6H6	1 1/2"	1 1/2"
	301-A7H7	2"	2"

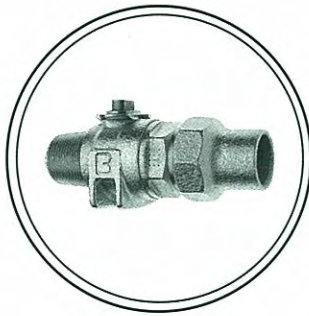


	PART number	INLET size	OUTLET size
<b>BALL STYLE AWWA x Campak</b>	301-A3B3	3/4"	3/4"
	301-A3B4	3/4"	1"
	301-A4B4	1"	1"
	301-A6B6	1 1/2"	1 1/2"
	301-A7B7	2"	2"

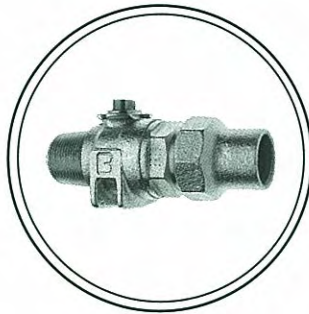


# CORPORATION MAIN STOPS

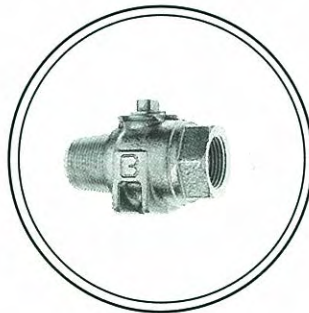
All valves are pressure tested in the open and closed position



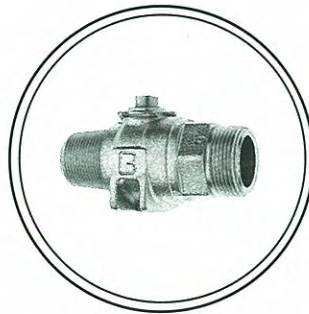
	PART number	INLET size	OUTLET size
<b>BALL STYLE AWWA x Haystite</b>	301-A3J3	3/4"	3/4"
	301-A3J4	3/4"	1"
	301-A4J4	1"	1"
	301-A6J6	1 1/2"	1 1/2"
	301-A7J7	2"	2"



	PART number	INLET size	OUTLET size
<b>BALL STYLE AWWA x Copper Flare</b>	301-A3C3	3/4"	3/4"
	301-A3C4	3/4"	1"
	301-A4C4	1"	1"
	301-A5C5	1 1/4"	1 1/4"
	301-A6C6	1 1/2"	1 1/2"
	301-A7C7	2"	2"



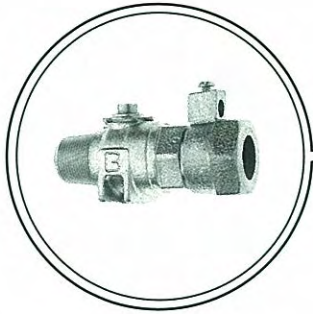
	PART number	INLET size	OUTLET size
<b>BALL STYLE AWWA x FIP</b>	301-A3F3	3/4"	3/4"
	301-A4F4	1"	1"
	301-A5F5	1 1/4"	1 1/4"
	301-A6F6	1 1/2"	1 1/2"
	301-A7F7	2"	2"



	PART number	INLET size	OUTLET size
<b>BALL STYLE AWWA x MIP</b>	301-A3M3	3/4"	3/4"
	301-A3M4	3/4"	1"
	301-A4M4	1"	1"
	301-A6M6	1 1/2"	1 1/2"
	301-A6M7	1 1/2"	2"
	301-A7M7	2"	2"

# CORPORATION MAIN STOPS

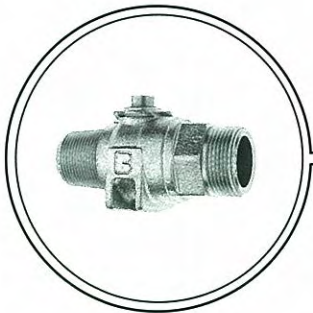
All valves are pressure tested in the open and closed position



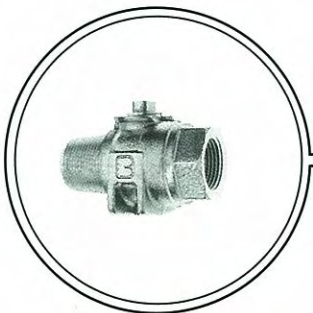
	PART number	INLET size	OUTLET size
<b>BALL STYLE AWWA x CB Comp. EL</b>	301-A3HE3	3/4"	3/4"
	301-A4HE4	1"	1"
	301-A6HE6	1 1/2"	1 1/2"
	301-A7HE7	2"	2"



	PART number	INLET size	OUTLET size
<b>BALL STYLE AWWA x Kitec</b>	301-A3K3	3/4"	3/4"
	301-A4K4	1"	1"



	PART number	INLET size	OUTLET size
<b>BALL STYLE MIP x MIP</b>	301-M3M3	3/4"	3/4"
	301-M4M4	1"	1"
	301-M6M6	1 1/2"	1 1/2"
	301-M7M7	2"	2"



	PART number	INLET size	OUTLET size
<b>BALL STYLE MIP x FIP</b>	301-M3F3	3/4"	3/4"
	301-M4F4	1"	1"
	301-M6F6	1 1/2"	1 1/2"
	301-M7F7	2"	2"



## CORPORATION MAIN STOPS

All valves are pressure tested in the open and closed position



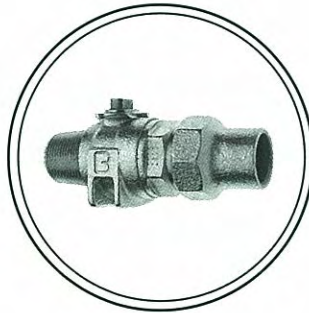
**BALL STYLE  
MIP x CB Compression**

PART number	INLET size	OUTLET size
301-M3H3	3/4"	3/4"
301-M4H4	1"	1"
301-M6H6	1 1/2"	1 1/2"
301-M7H7	2"	2"



**BALL STYLE  
MIP x Campak**

PART number	INLET size	OUTLET size
301-M3B3	3/4"	3/4"
301-M4B4	1"	1"
301-M6B6	1 1/2"	1 1/2"
301-M7B7	2"	2"



**BALL STYLE  
MIP x Haystite**

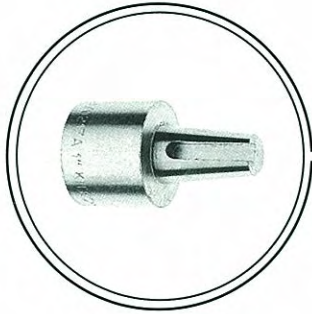
PART number	INLET size	OUTLET size
301-M3J3	3/4"	3/4"
301-M4J4	1"	1"
301-M6J6	1 1/2"	1 1/2"
301-M7J7	2"	2"

# CORPORATION MAIN STOPS

All valves are pressure tested in the open and closed position



	PART number	SIZE
<b>Easy Release Plug</b> (for Mueller "B" Machine)	070214A	3/4"
	070215A	1"



	PART number	SIZE
<b>Easy Release Plug</b> (for Hays Machine)	070216A	3/4"
	070217A	1"



	PART number	SIZE
<b>AWWA Tapping Plugs</b>	98-A1	1/2"
	98-A2	5/8"
	98-A3	3/4"
	98-A4	1"
	98-A6	1 1/2"
	98-A7	2"



	PART number	SIZE
<b>Multi-purpose Adaptor</b>	85-3	3/4"
	85-4	1"



## 5 YEAR WARRANTY

Cambridge Brass, 140 Orion Place, Cambridge, Ontario warrants to the original consumer purchaser that products manufactured by it are free from defects in material and/or workmanship for a period of five (5) years.

Cambridge Brass will, at its option, repair or replace any part which proves to be defective in material and/or workmanship during the warranty period under normal installation, water and service conditions, and use. If Cambridge Brass concludes that the returned part was manufactured by Cambridge Brass and is, in fact, defective, then Cambridge Brass will honor the warranty stated herein. **LABOR CHARGES AND/OR DAMAGES INCURRED IN INSTALLATION, REPAIR OR REPLACEMENT AS WELL AS CONSEQUENTIAL, SPECIAL, INDIRECT OR PUNITIVE DAMAGES CONNECTED THEREWITH ARE EXCLUDED AND WILL NOT BE PAID BY CAMBRIDGE BRASS.**

**THIS IS THE EXCLUSIVE WARRANTY MADE BY CAMBRIDGE BRASS. CAMBRIDGE BRASS DOES NOT MAKE ANY OTHER WARRANTY OF ANY KIND, INCLUDING ANY IMPLIED WARRANTIES OF MERCHANTABILITY OR FITNESS FOR A PARTICULAR PURPOSE.**

Some states do not allow the exclusion or limitation of incidental or consequential damages, so the above limitation or exclusion may not apply to you.

This warranty is void for any damage to the product due to misuse, abuse, neglect, accident, improper installation, any use violative of instructions furnished by Cambridge Brass or any use of replacement parts other than genuine Cambridge Brass parts.



P.O. Box 249  
140 Orion Place  
Cambridge, Ontario N1R 5V1  
Tel. (519) 621-5520  
Fax (519) 621-8038

